

**#8800 Series:**

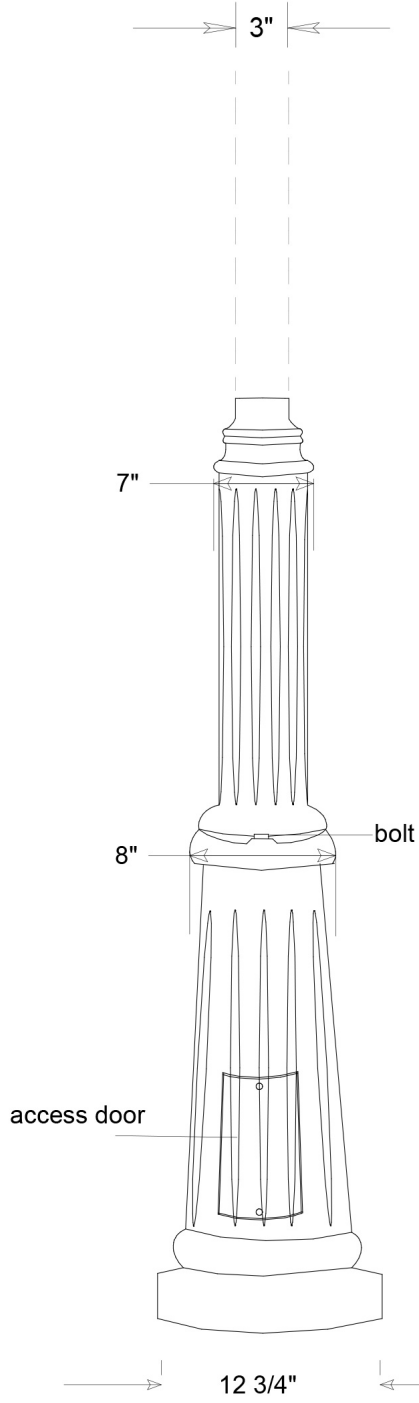
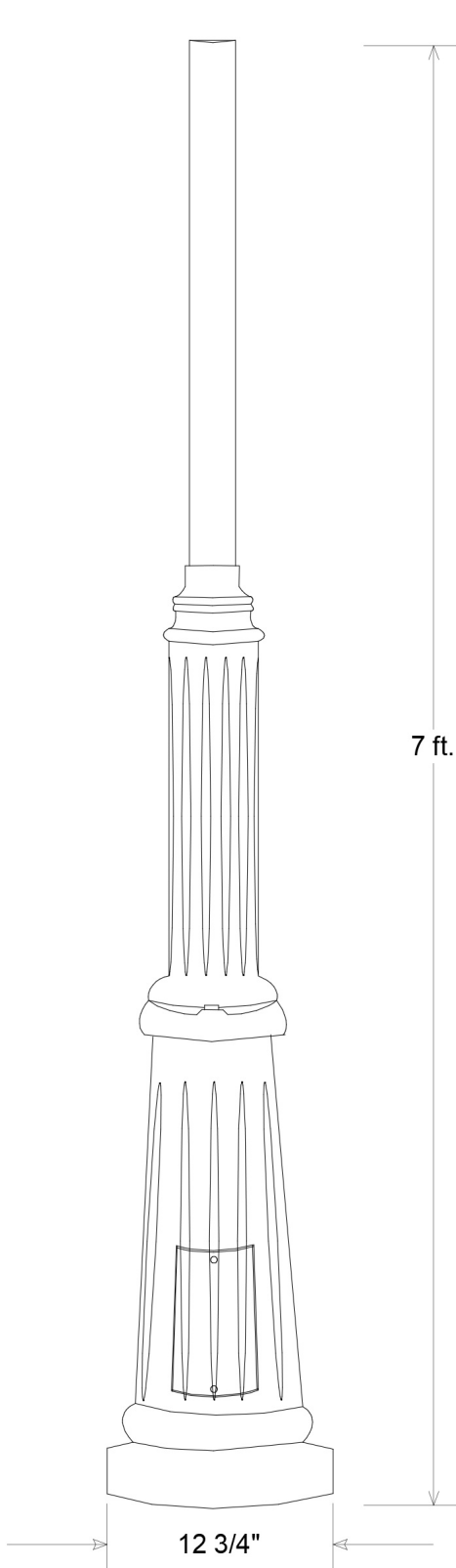
Gauge .050

- #8806 ( 6' ) ▲
- #8807 ( 7' ) ▲
- #8808 ( 8' ) ▲
- #8810 (10' ) ▲
- #8812 (12' ) ▲

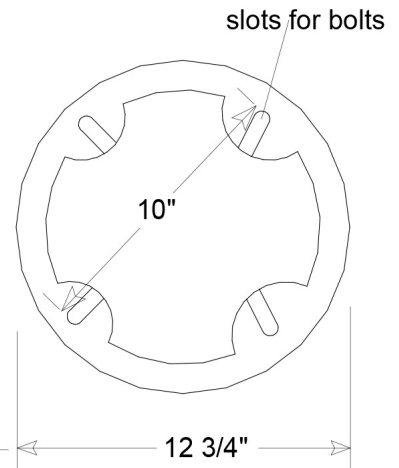
**#8800 Series:**

Gauge .125

- #8836 ( 6' ) ▲
- #8837 ( 7' ) ▲
- #8838 ( 8' ) ▲
- #8840 (10' ) ▲
- #8842 (12' ) ▲
- #8844 (14' ) ▲
- #8846 (16' ) ▲



**Post Base  
10" bolt circle**



	Name	Date
Drawn	Iv	02/16/17
Checked		
ENG Appr.		
MFR Appr.		
QA		
Comments		
CAD Generated Drawing Do Not Manually Update		
Construction: All Aluminum		
10" bolt circle base		

**Primelite Mfg Corp**

516-868-4411

**#8807 Post**  
**Cast Aluminum Base**  
**Extruded Aluminum Top | Smooth**  
**Height 7' | Gauge .050**

Size	Drawing No.	Rev
<b>A</b>	<b>0001</b>	<b>A</b>
Scale	CAD File	Sheet
		<b>1 of 1</b>