

#8700 Series:

Gauge .050

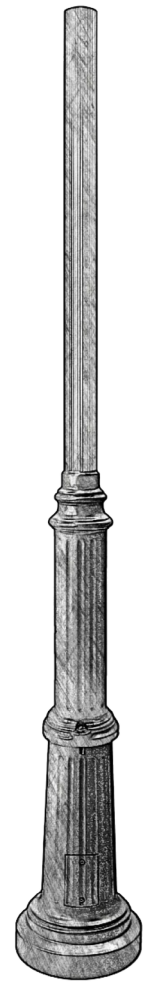
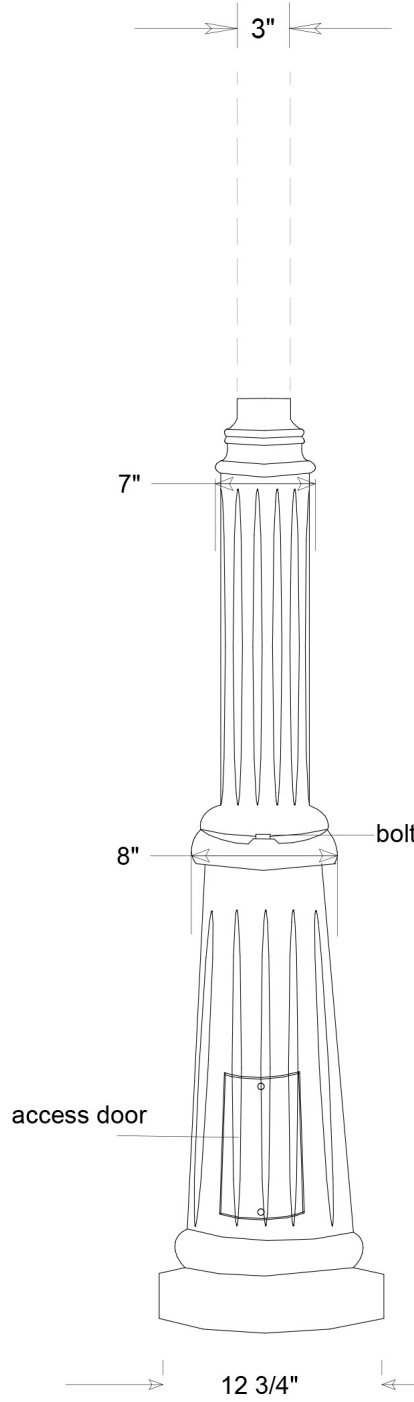
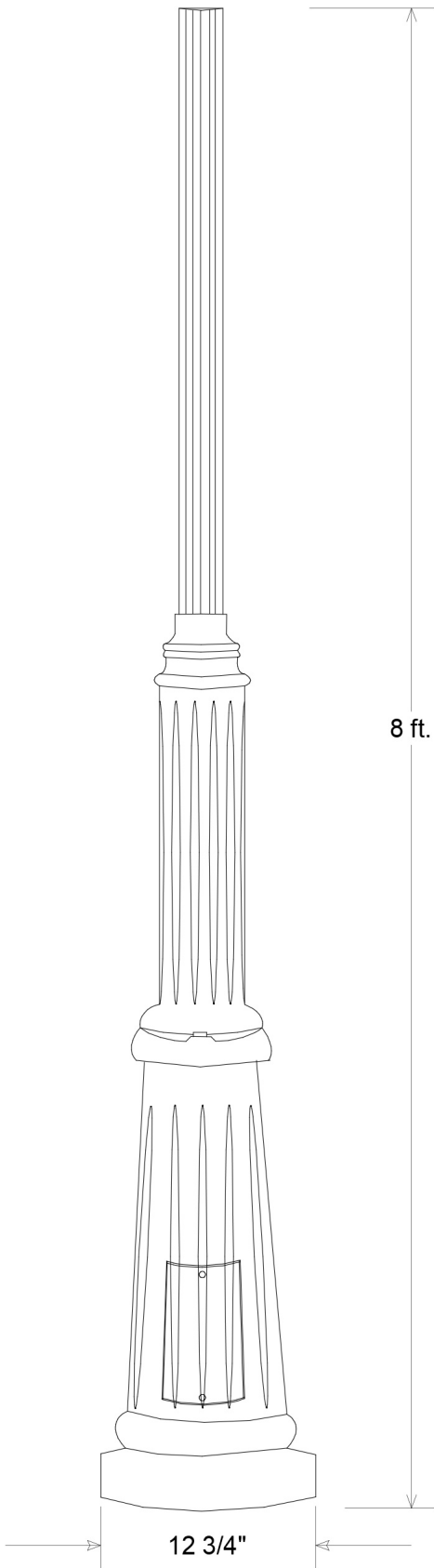
#8706 (6') ▲

#8707 (7') ▲

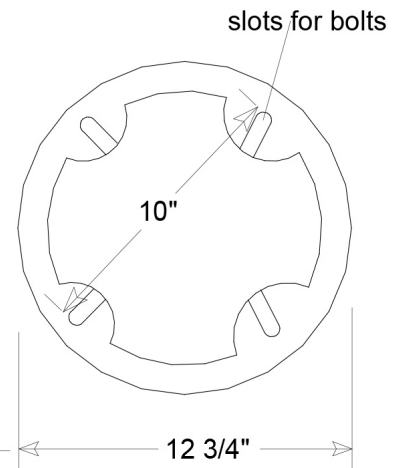
#8708 (8') ▲

#8710 (10') ▲

#8712 (12') ▲



**Post Base
10" bolt circle**



	Name	Date
Drawn	lv	02/21/17
Checked		
ENG Appr.		
MFR Appr.		
QA		
Comments		
CAD Generated Drawing Do Not Manually Update		
Construction: All Aluminum		
10" bolt circle base		

Primelite Mfg Corp		
516-868-4411		
#8708 Post		
Cast Aluminum Base		
Extruded Aluminum Top Fluted		
Height 8' Top Gauge .050		
Size	Drawing No.	Rev
A	0001	A
Scale	CAD File	Sheet
		1 of 1