

#8700 Series:

Gauge .050

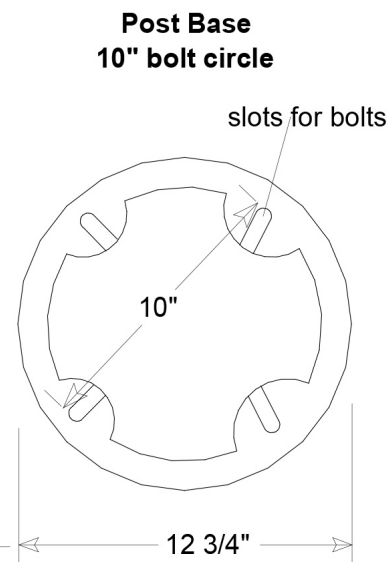
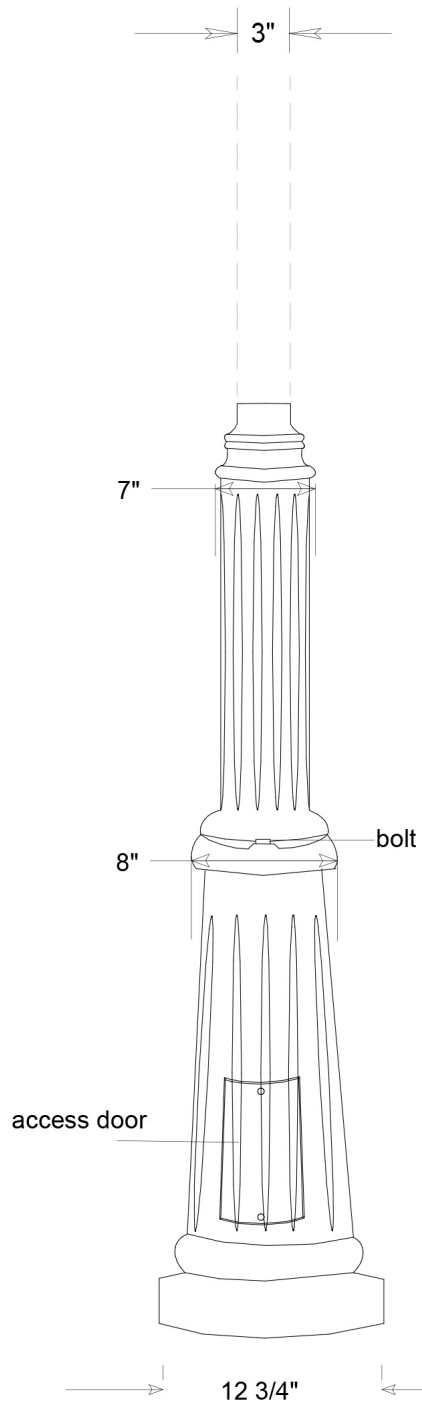
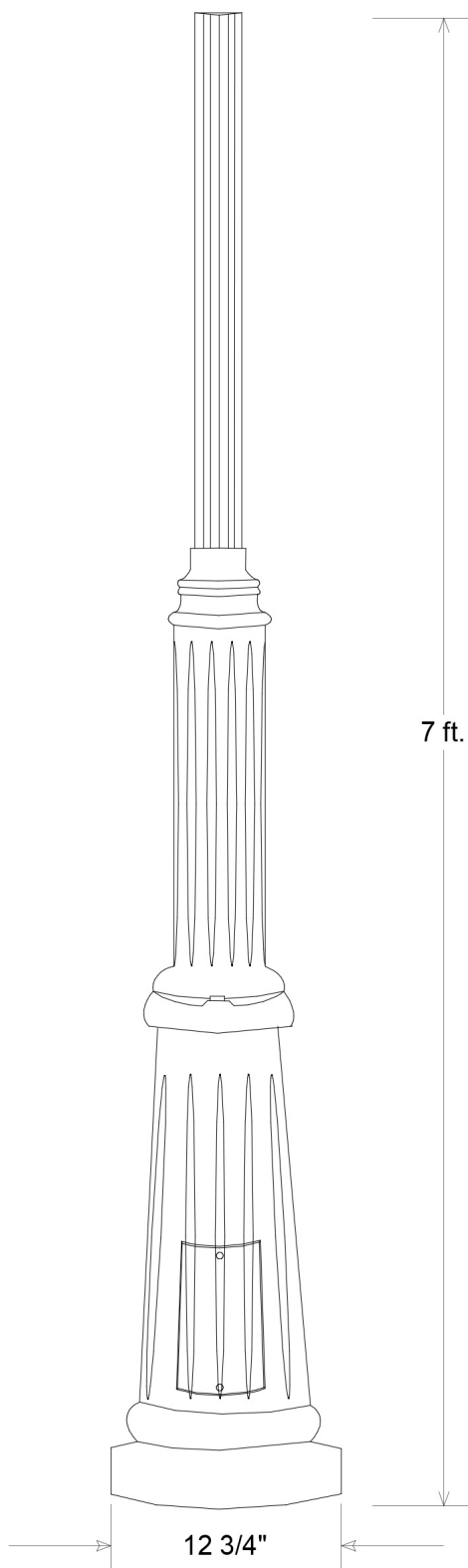
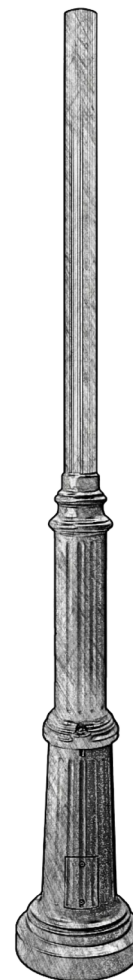
#8706 (6') ▲

#8707 (7') ▲

#8708 (8') ▲

#8710 (10') ▲

#8712 (12') ▲



| | | |
|-------------------------------------------------|------|----------|
| | Name | Date |
| Drawn | lv | 02/21/17 |
| Checked | | |
| ENG Appr. | | |
| MFR Appr. | | |
| QA | | |
| Comments | | |
| CAD Generated Drawing Do Not Manually Update | | |
| Construction: All Aluminum | | |
| 10" bolt circle base | | |

| | | |
|---------------------------------------|-------------|---------------|
| Primelite Mfg Corp | | |
| 516-868-4411 | | |
| #8707 Post | | |
| Cast Aluminum Base | | |
| Extruded Aluminum Top Fluted | | |
| Height 7' Top Gauge .050 | | |
| Size | Drawing No. | Rev |
| A | 0001 | A |
| Scale | CAD File | Sheet |
| | | 1 of 1 |