

#8700 Series:

Gauge .050

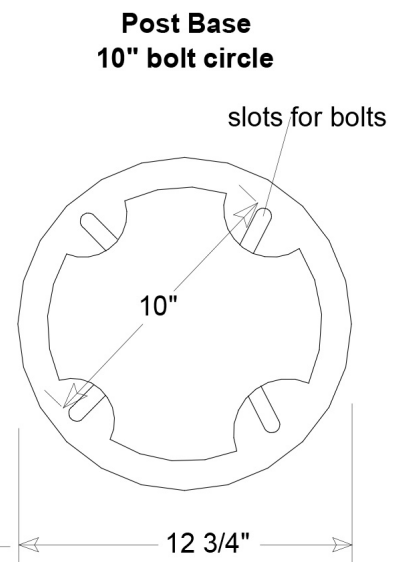
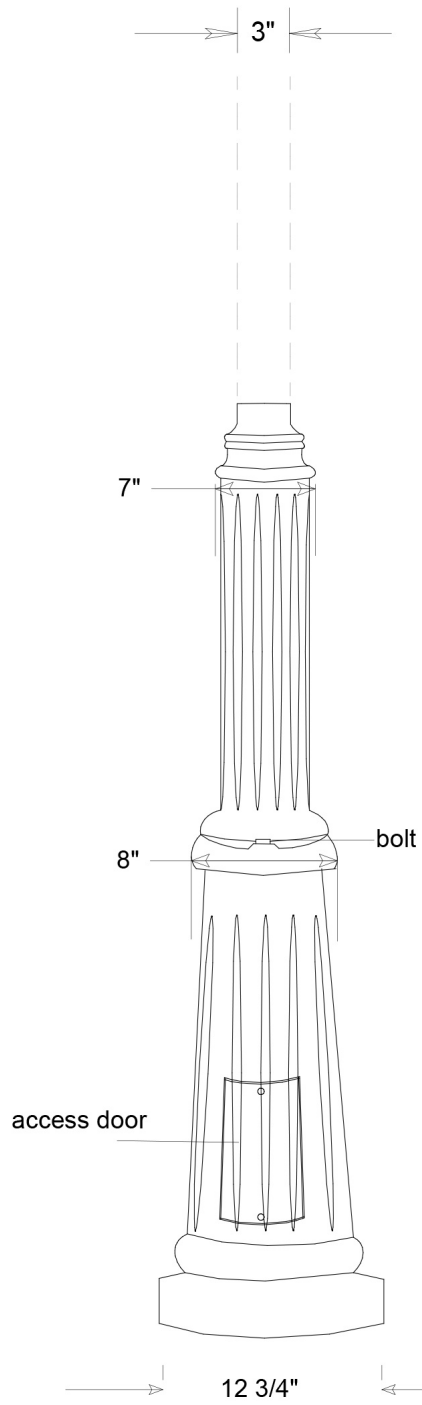
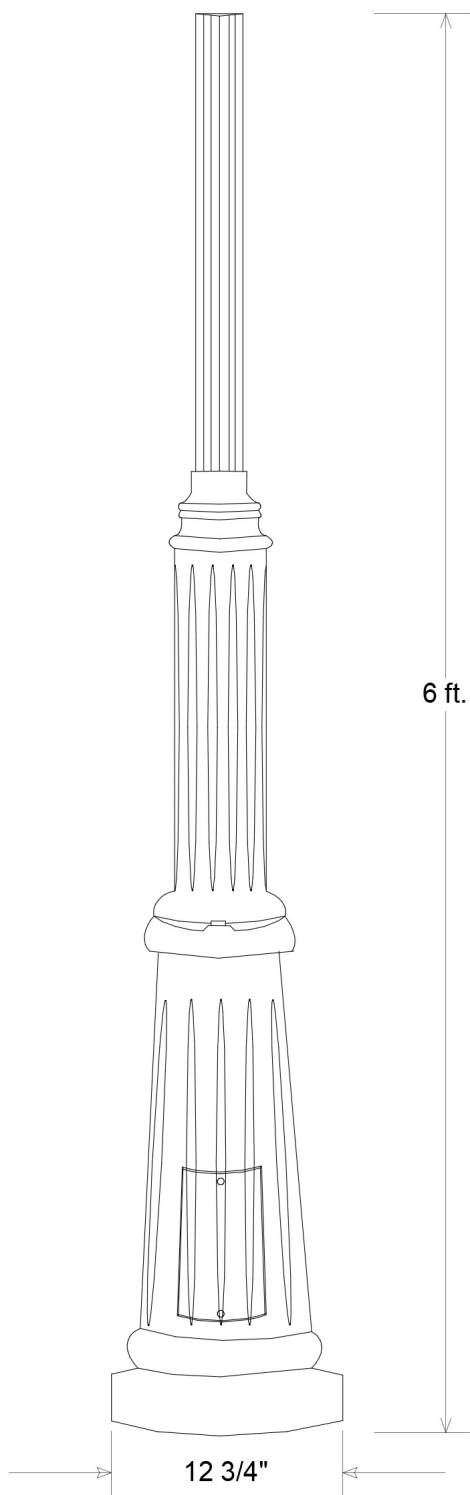
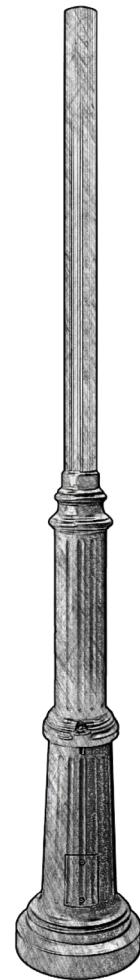
#8706 (6') ▲

#8707 (7') ▲

#8708 (8') ▲

#8710 (10') ▲

#8712 (12') ▲



		Primelite Mfg Corp	
Drawn	Name lv	Date 02/21/17	516-868-4411
Checked			#8706 Post Cast Aluminum Base Extruded Aluminum Top Fluted Height 6' Top Gauge .050
ENG Appr.			
MFR Appr.			
QA			
Comments CAD Generated Drawing Do Not Manually Update		Size A	Drawing No. 0001
Construction: All Aluminum		Scale	Rev A
10" bolt circle base		CAD File	Sheet 1 of 1

▲ Symbol indicates link to individual technical drawings