

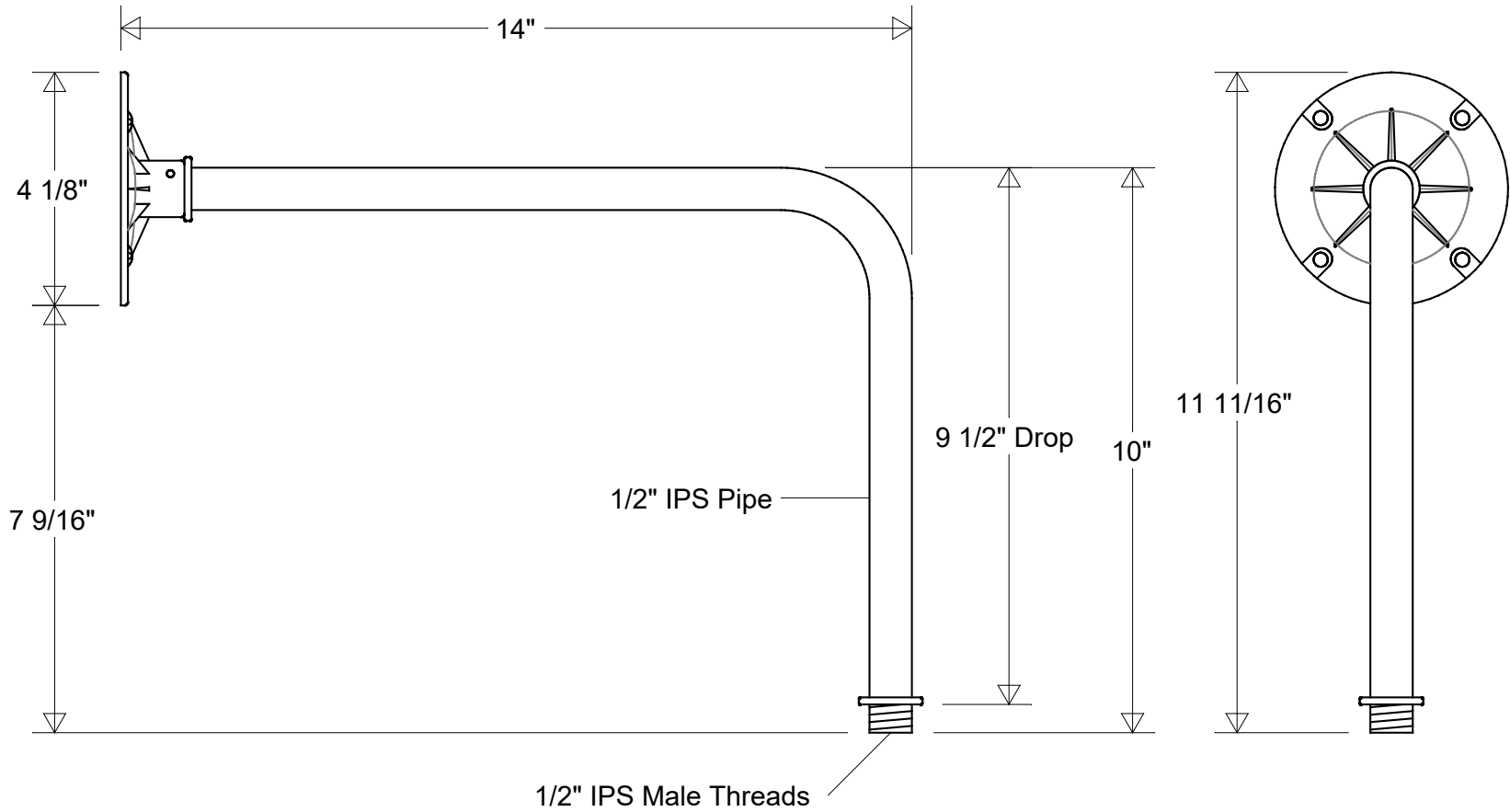


Primelite Manufacturing Corp

407 S Main St, Freeport, NY 11520

Phone: 516-868-4411 | Fax: 516-868-4609
 sales@primelite-mfg.com | www.primelite-mfg.com

PART # #870	LAMP N/A	VOLTAGE N/A	COLOR Powder Coated Paint
JOB NAME			TYPE Gooseneck Arm



Lamp: N/A	Initials	Date	Gooseneck Arm #870		
	Drawn	CB			10/2022
	Checked			14" Ext 11 11/16" H 9 1/2" Drop Fits 1/2" IPS Female Threads	
	ENG Appr.				
Construction: Aluminum	MFR Appr.		Size	Drawing No.	Rev
	QA		A	0001	A
Unless Otherwise Specified: Dimensions in Inches	Weight:		Scale	CAD File	Sheet
					1 of 1

Revisions				
Zone	Rev	Description	Date	Appr