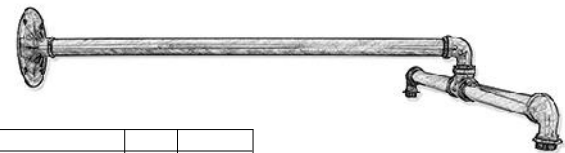
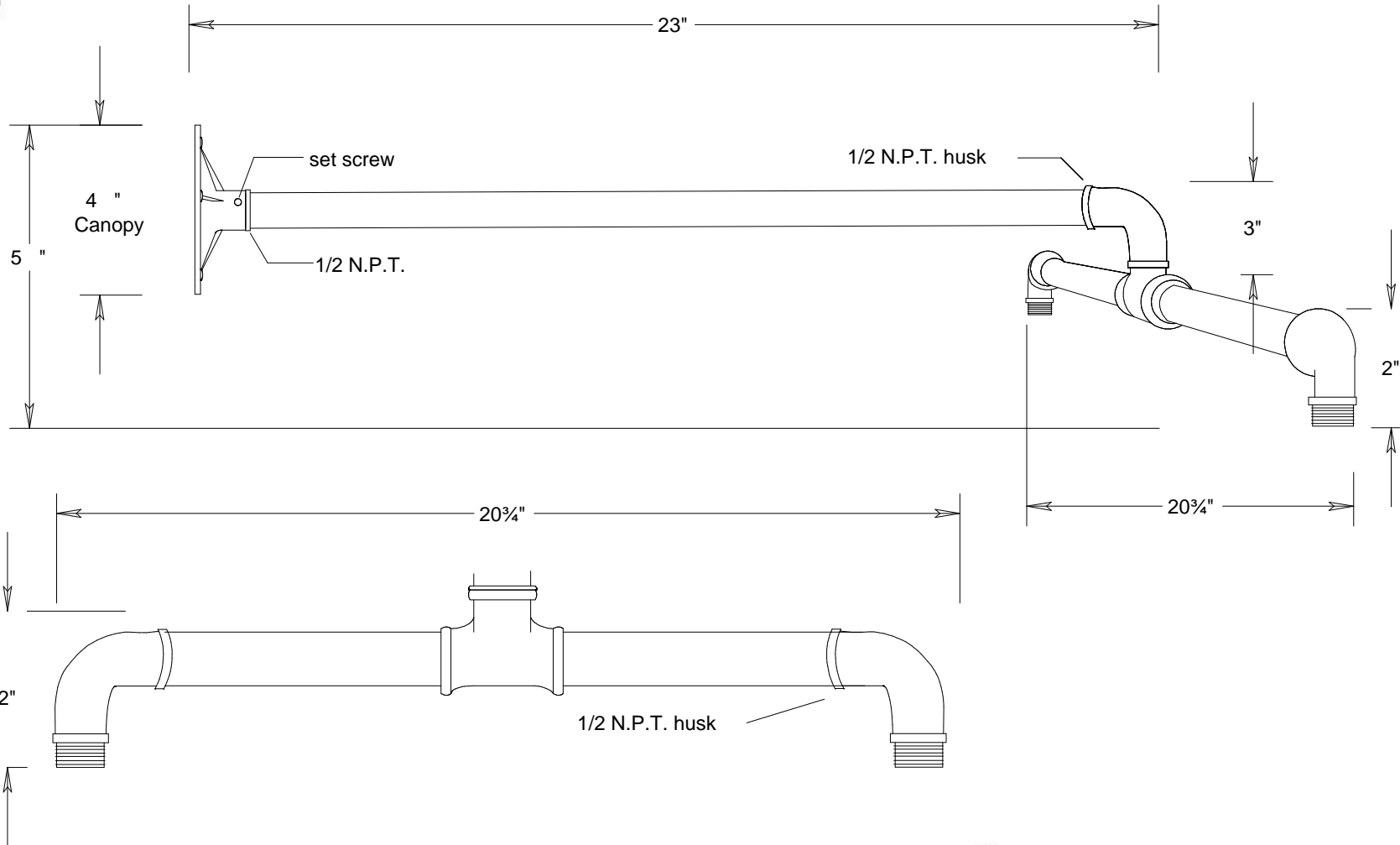




Primelite Manufacturing Corp

407 S Main St, Freeport, NY 11520
 Phone: 516-868-4411 | Fax: 516-868-4609
 sales@primelite-mfg.com | www.primelite-mfg.com

PART # #858	LAMP n/a	VOLTAGE n/a	COLOR Powder Coated Paint
JOB NAME			TYPE Wall Mount Arm



Unless Otherwise Specified:

- Dimensions in Inches
- Tolerances: Fractional ±
- Angular: Mach ± Bend ±
- Two Place Decimal ±
- Three Place Decimal ±

Name	Date
Drawn lv	09/13/18
Checked	
ENG Appr.	
MFR Appr.	
QA	
Comments	

Gooseneck Arm #858

2 Shades | 23" Arm | 1/2" Pipe | Wall Mount

Size A	Drawing No. 0001	Rev A
Scale	CAD File	Sheet 1 of 1

Revisions				
Zone	Rev	Description	Date	Approved