

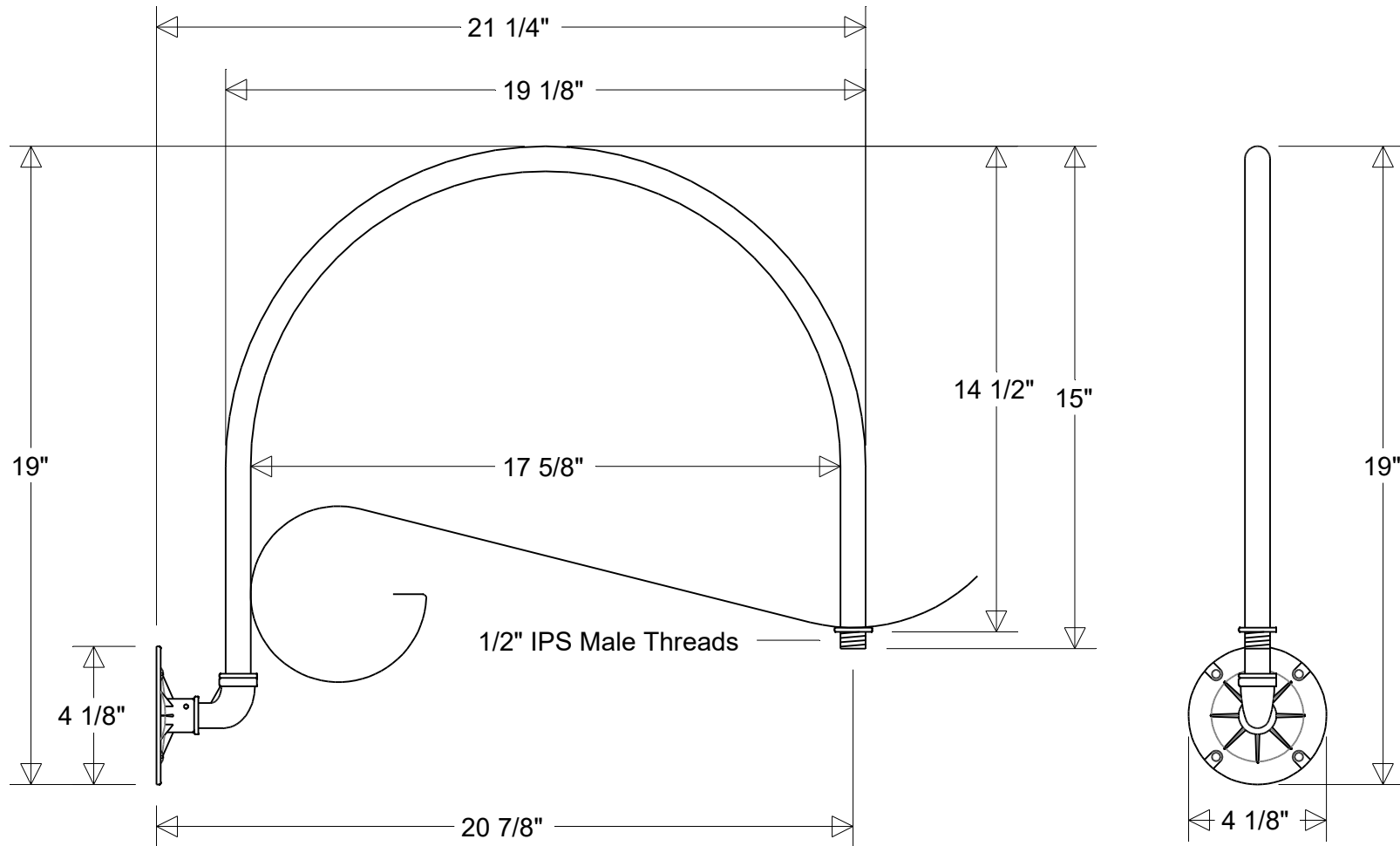


# Primelite Manufacturing Corp.

407 S Main St, Freeport, NY 11520  
 Phone: (516) 868-4411 | Fax: (516) 868-4609  
 sales@primelite-mfg.com | www.primelite-mfg.com

**PROUDLY MADE IN THE USA SINCE 1962!**  
**"SPECIALTIES ARE OUR SPECIALTY!"**

Job Info



## #852 W SCA

21 1/4" Ext | 19" H | 14 1/2" Drop | 1/2" IPS  
 Compatible with "A" series shades

Lamp: N/A	Finish: 29 Oven Baked Powder Coated Paints	Drawn: CB 03/2026	Scale: 1/5	Approvals	
	Material: Aluminum	Note: All dimensions are nominal. Actual dimensions may vary.			