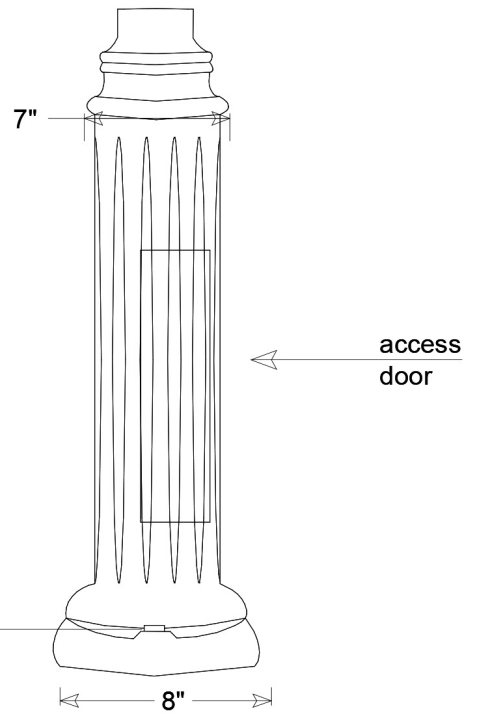
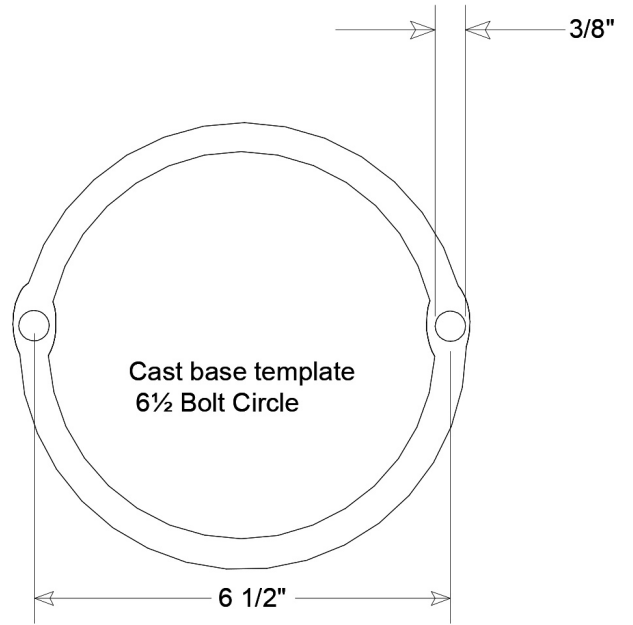


#7800 Series

- | | |
|----------------------|----------------------|
| #7800 Series: | #7800 Series: |
| Gauge .050 | Gauge .125 |
| #7806 (6') ▲ | #7836 (6') ▲ |
| #7807 (7') ▲ | #7837 (7') ▲ |
| #7808 (8') ▲ | #7838 (8') ▲ |
| #7810 (10') ▲ | #7840 (10') ▲ |
| #7812 (12') ▲ | #7842 (12') ▲ |



Cast Aluminum Base

Unless Otherwise Specified: Dimensions in Inches Tolerances: Fractional ± Angular: Mach ± Bend ± Two Place Decimal ± Three Place Decimal ±	Drawn Iv	Date 02/13/17	Primelite Mfg. Corp. #7842 Post Cast Aluminum Base Extruded Aluminum Top Smooth Height 12' Gauge .125
	Checked		
	ENG Appr.		
	MFR Appr.		
Construction: All Aluminum	Comments CAD Generated Drawing Do Not Manually Update		Size A
6 1/2" bolt circle base			Drawing No. 0001
			Rev A
	Scale 1:9	CAD File	Sheet 1 of 1

▲ Symbol indicates link to individual technical drawings