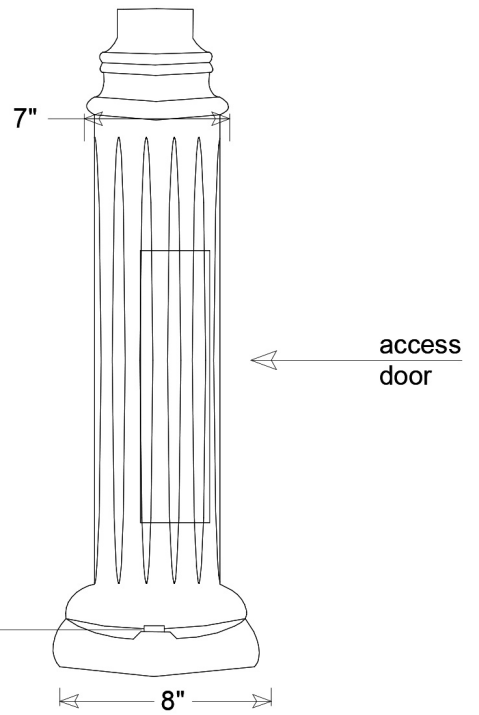
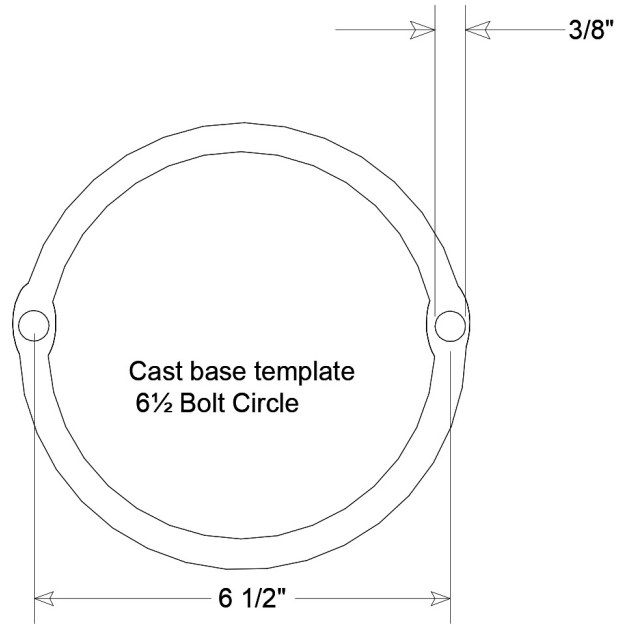


#7800 Series



Cast Aluminum Base

- #7800 Series:** **#7800 Series:**  
 Gauge .050 Gauge .125  
 #7806 ( 6' ) ▲ #7836 ( 6' ) ▲  
 #7807 ( 7' ) ▲ #7837 ( 7' ) ▲  
 #7808 ( 8' ) ▲ #7838 ( 8' ) ▲  
 #7810 ( 10' ) ▲ #7840 ( 10' ) ▲  
 #7812 ( 12' ) ▲ #7842 ( 12' ) ▲

**Unless Otherwise Specified:**

Dimensions in Inches  
 Tolerances: Fractional ±  
 Angular: Mach ± Bend ±  
 Two Place Decimal ±  
 Three Place Decimal ±

**Construction: All Aluminum**

6 1/2" bolt circle base

	Name	Date
Drawn	Iv	02/13/17
Checked		
ENG Appr.		
MFR Appr.		
QA		
Comments	CAD Generated Drawing Do Not Manually Update	

**Primelite Mfg. Corp.**

**#7838 Post**  
**Cast Aluminum Base**  
**Extruded Aluminum Top | Smooth**  
**Height 8' | Gauge .125**

Size	Drawing No.	Rev
<b>A</b>	<b>0001</b>	<b>A</b>
Scale	<b>1:9</b>	CAD File
Sheet	<b>1 of 1</b>	

▲ Symbol indicates link to individual technical drawings