

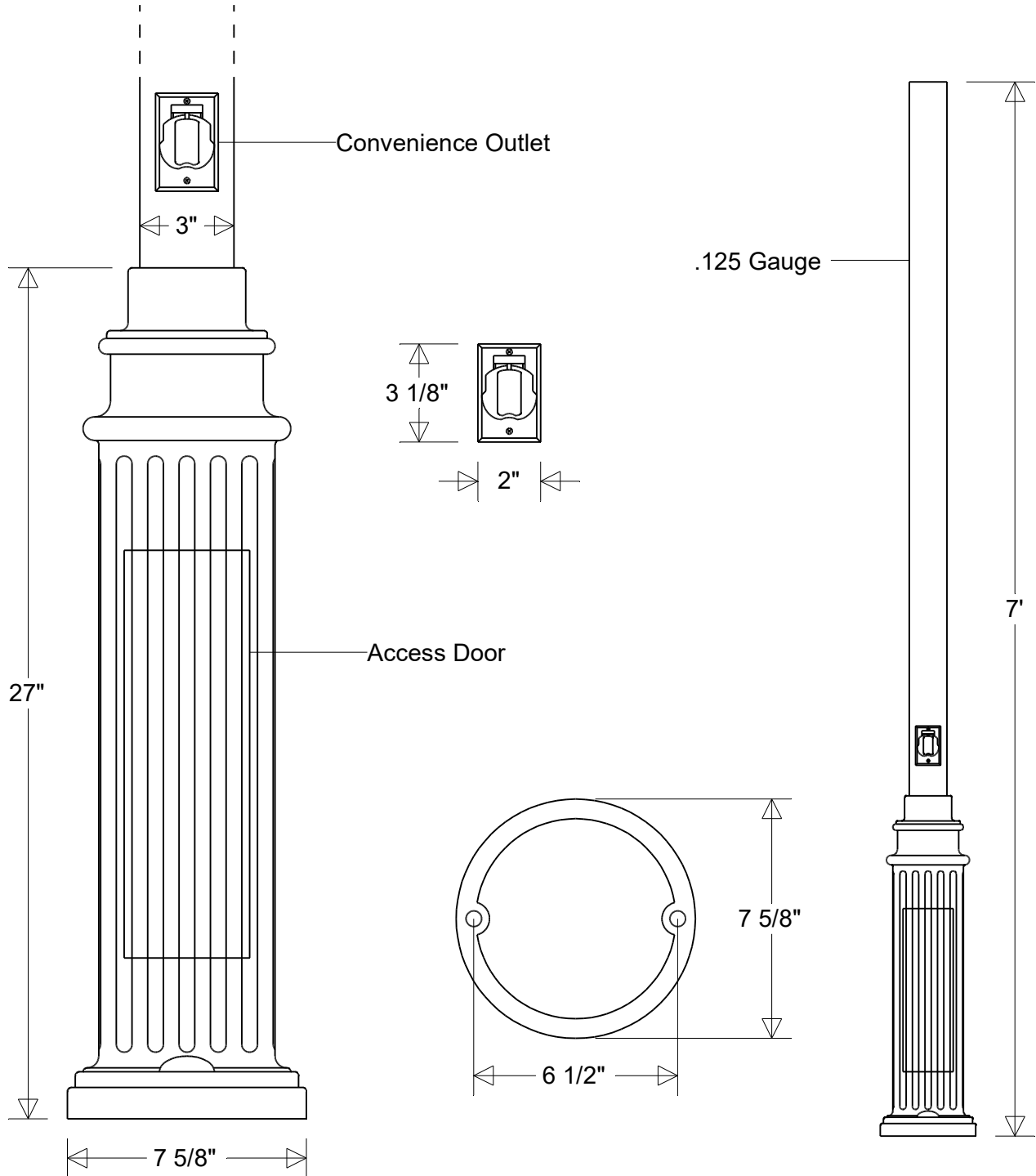


Primelite Manufacturing Corp.

407 S Main St, Freeport, NY 11520
 Phone: (516) 868-4411 | Fax: (516) 868-4609
 sales@primelite-mfg.com | www.primelite-mfg.com

PROUDLY MADE IN THE USA SINCE 1962!
"SPECIALTIES ARE OUR SPECIALTY!"

Job Info



#7837 CO

3" Dia | 7' H | .125 Gauge Top
 1/2" Bolts Included (2) | 6 1/2" Bolt Circle

Lamp: N/A

Finish:
 29 Oven Baked
 Powder Coated Paints

Drawn:
 CB
 06/2026

Scale:
 S1: 1/5
 S2: 1 / 12.5

Approvals

Material:
 Aluminum

Note:
 All dimensions are nominal.
 Actual dimensions may vary.