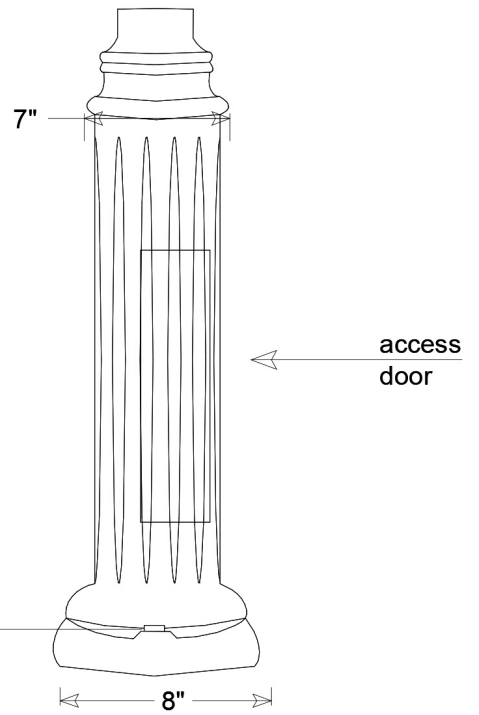
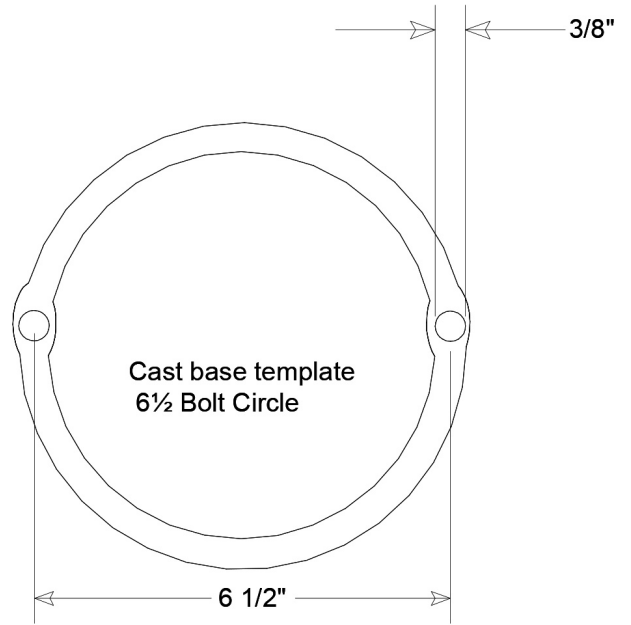


#7800 Series

- |                      |                      |
|----------------------|----------------------|
| <b>#7800 Series:</b> | <b>#7800 Series:</b> |
| Gauge .050           | Gauge .125           |
| #7806 ( 6' ) ▲       | #7836 ( 6' ) ▲       |
| #7807 ( 7' ) ▲       | #7837 ( 7' ) ▲       |
| #7808 ( 8' ) ▲       | #7838 ( 8' ) ▲       |
| #7810 (10') ▲        | #7840 (10') ▲        |
| #7812 (12') ▲        | #7842 (12') ▲        |



Cast Aluminum Base

<b>Unless Otherwise Specified:</b> Dimensions in Inches Tolerances: Fractional ± Angular: Mach ± Bend ± Two Place Decimal ± Three Place Decimal ±	<b>Drawn</b> Iv	<b>Date</b> 02/13/17	<b>Primelite Mfg. Corp.</b>  <b>#7812 Post</b> <b>Cast Aluminum Base</b> <b>Extruded Aluminum Top   Smooth</b> <b>Height 12'   .050 gauge</b>		
	<b>Checked</b>				
	<b>ENG Appr.</b>				
	<b>MFR Appr.</b>				
	<b>QA</b>				
<b>Construction: All Aluminum</b>	<b>Comments</b> CAD Generated Drawing Do Not Manually Update		<b>Size</b> <b>A</b>	<b>Drawing No.</b> <b>0001</b>	<b>Rev</b> <b>A</b>
<b>6 1/2" bolt circle base</b>	<b>Scale</b> <b>1:9</b>	<b>CAD File</b>	<b>Sheet</b> <b>1 of 1</b>		

▲ Symbol indicates link to individual technical drawings