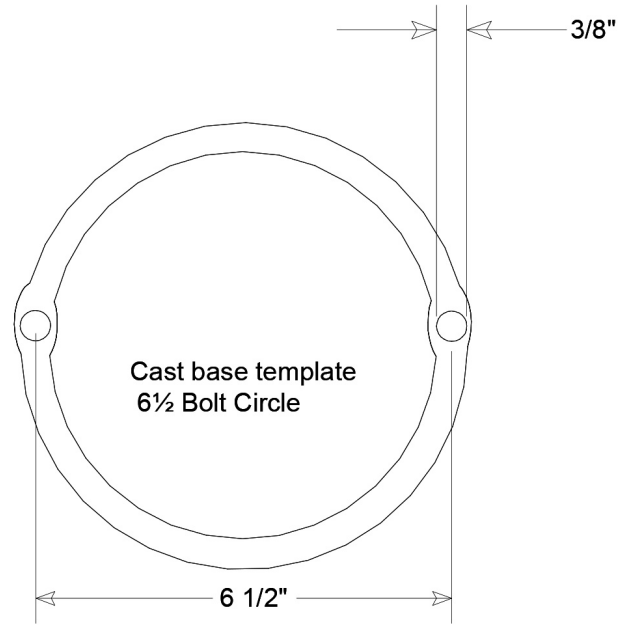
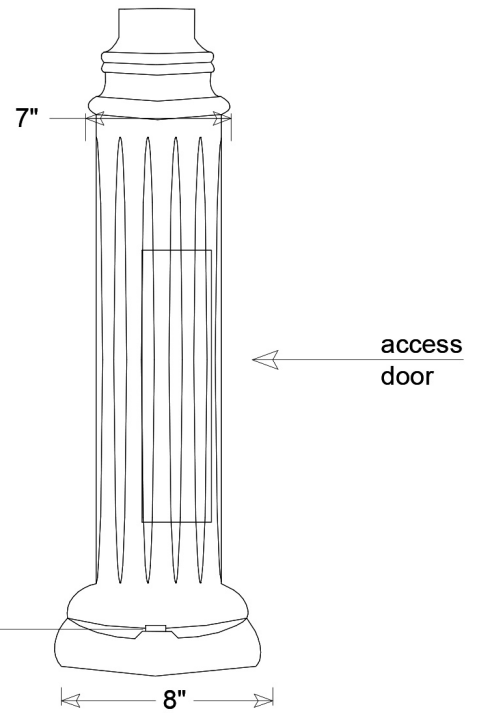


#7800 Series



- |                      |                      |
|----------------------|----------------------|
| <u>#7800 Series:</u> | <u>#7800 Series:</u> |
| Gauge .050           | Gauge .125           |
| #7806 ( 6') ▲        | #7836 ( 6') ▲        |
| #7807 ( 7') ▲        | #7837 ( 7') ▲        |
| #7808 ( 8') ▲        | #7838 ( 8') ▲        |
| #7810 (10') ▲        | #7840 (10') ▲        |
| #7812 (12') ▲        | #7842 (12') ▲        |



Cast Aluminum Base

|  |   |             |                 |   |                    |            |
|--|---|-------------|-----------------|---|--------------------|------------|
| <b>Unless Otherwise Specified:</b><br>Dimensions in Inches<br>Tolerances: Fractional ±<br>Angular: Mach ± Bend ±<br>Two Place Decimal ±<br>Three Place Decimal ± | <b>Drawn</b>                                    | <b>Name</b> | <b>Date</b>     | <b>Primelite Mfg. Corp.</b>   |                    |            |
|  | iv  |             | 02/13/17        |   |                    |            |
|  | <b>Checked</b>                                  |             |                 | <b>#7810 Post</b><br><b>Cast Aluminum Base</b><br><b>Extruded Aluminum Top   Smooth</b><br><b>Height 10'   Gauge .050</b> |                    |            |
|  | <b>ENG Appr.</b>                                |             |                 |   |                    |            |
|  | <b>MFR Appr.</b>                                |             |                 |   |                    |            |
| <b>Construction: All Aluminum</b>  | <b>Comments</b>                                 |             |                 | <b>Size</b>   | <b>Drawing No.</b> | <b>Rev</b> |
| 6 1/2" bolt circle base  | CAD Generated Drawing<br>Do Not Manually Update |             |                 | <b>A</b>  | <b>0001</b>        | <b>A</b>   |
|  | <b>Scale</b>                                    | <b>1:9</b>  | <b>CAD File</b> | <b>Sheet</b>  | <b>1 of 1</b>      |            |

▲ Symbol indicates link to individual technical drawings