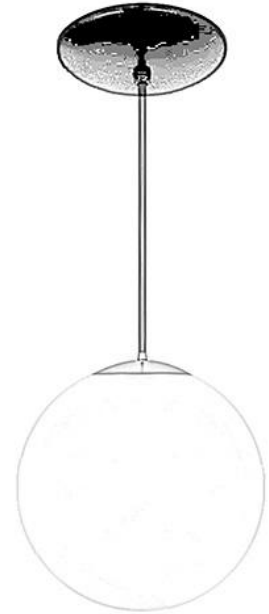
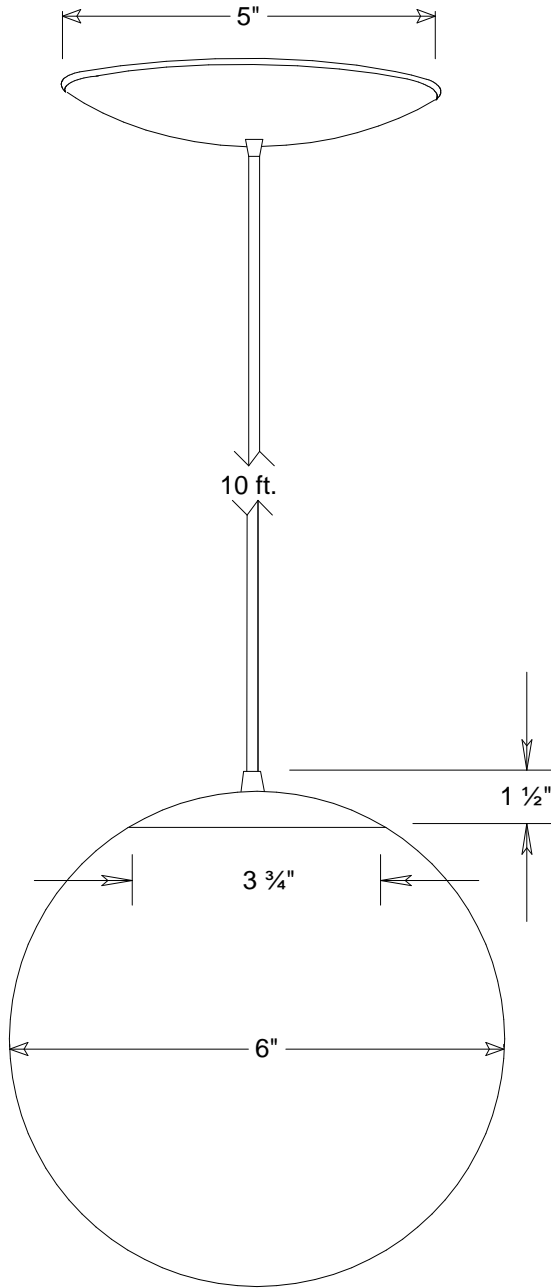




# Primelite Manufacturing Corp

407 S Main St, Freeport, NY 11520  
 Phone: 516-868-4411 | Fax: 516-868-4609  
 sales@primelite-mfg.com | www.primelite-mfg.com

<b>PART #</b> <b>#776</b>	<b>LAMP</b> Incandescent	<b>VOLTAGE</b> 120V	<b>COLOR</b> Powder Coated Colors
<b>JOB NAME</b>			<b>TYPE</b> Globe Pendant Superflex   Neckless



Lamp: Incandescent



1/60A

Construction: Aluminum Superflex

Unless Otherwise Specified:  
 Dimensions in Inches

Name	Date	<b>Globe Pendant #776</b>		
Drawn: iv	10/11/18	6" Dia Superflex Globe   10' Vinyl Cord Neckless   White #776/3   Clear #776/4		
Checked:		Size	Drawing No.	Rev
ENG Appr.:		<b>A</b>	<b>0001</b>	<b>A</b>
MFR Appr.:		Scale	CAD File	Sheet
QA:				<b>1 of 1</b>
Colors: White #/3   Clear #/4				

Revisions				
Zone	Rev	Description	Date	Approved