

#7700 Series:

Gauge .050

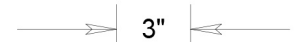
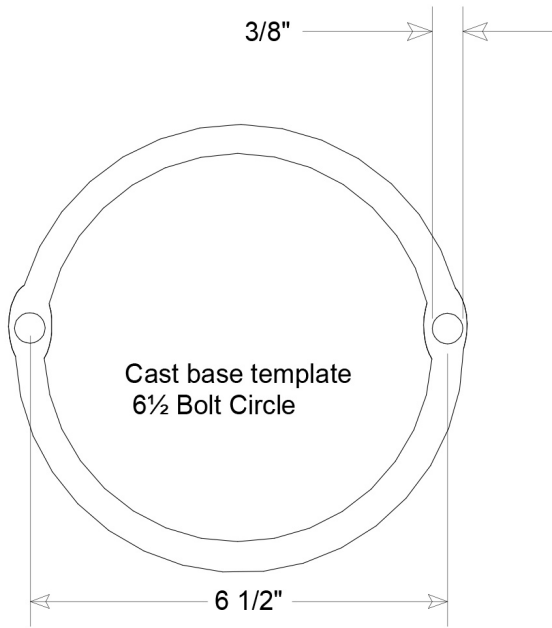
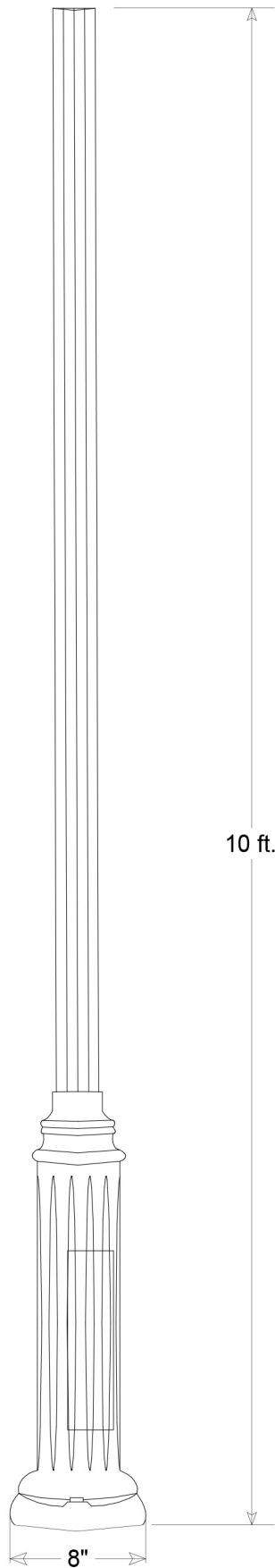
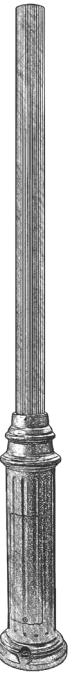
#7706 (6') ▲

#7707 (7') ▲

#7708 (8') ▲

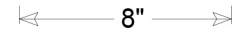
#7710 (10') ▲

#7712 (12') ▲



access door

bolt



Cast Aluminum Base

<p>Unless Otherwise Specified:</p> <p>Dimensions in Inches Tolerances: Fractional ± Angular: Mach ± Bend ± Two Place Decimal ± Three Place Decimal ±</p> <p>Construction: All Aluminum</p> <p>6 1/2" bolt circle base</p>	<p>Drawn</p> <p>iv</p>	<p>Name</p> <p>iv</p>	<p>Date</p> <p>02/21/17</p>	<p>Primelite Mfg Corp</p> <p>516-868-4411</p>	
	<p>Checked</p>			<p>#7710 Post</p> <p>Cast Aluminum Base</p> <p>Extruded Aluminum Top Fluted</p> <p>Height 10' Top Gauge .050</p>	
	<p>ENG Appr.</p>				
	<p>MFR Appr.</p>				
	<p>QA</p>				
<p>Comments</p> <p>CAD Generated Drawing Do Not Manually Update</p>	<p>Size</p> <p>A</p>		<p>Drawing No.</p> <p>0001</p>	<p>Rev</p> <p>A</p>	
	<p>Scale</p>	<p>CAD File</p>	<p>Sheet</p> <p>1 of 1</p>		