

**#7700 Series:**

Gauge .050

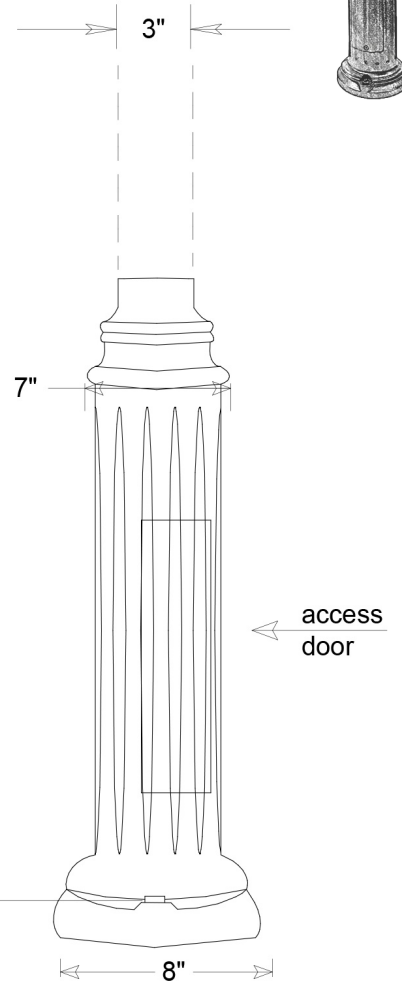
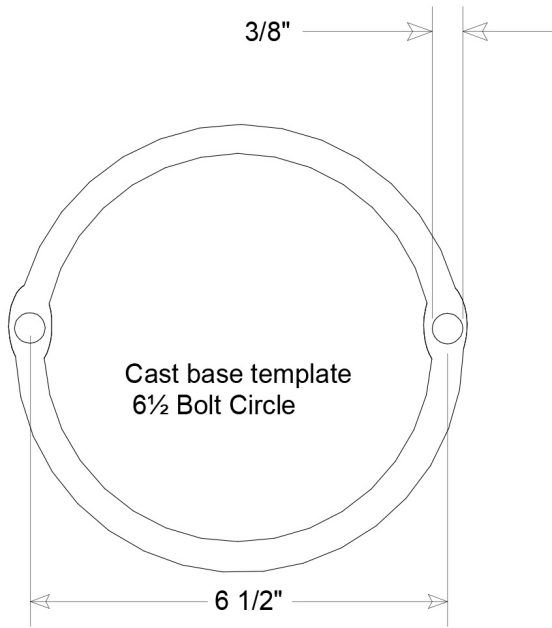
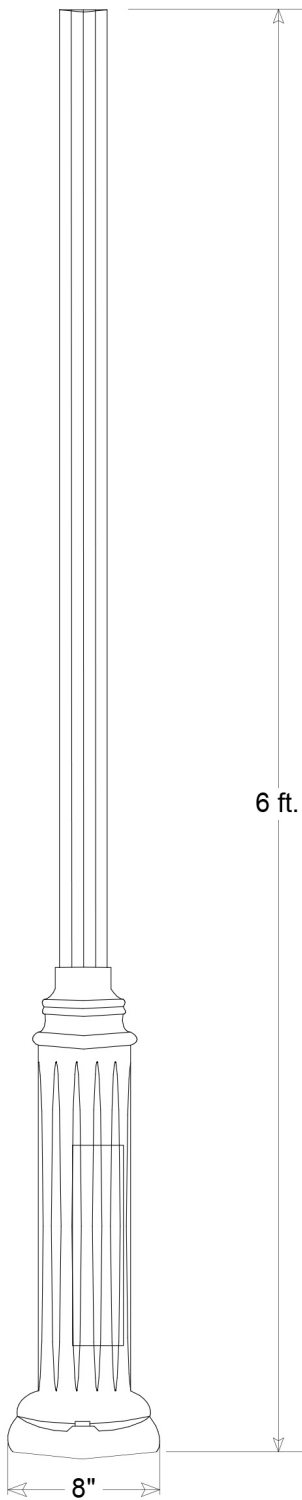
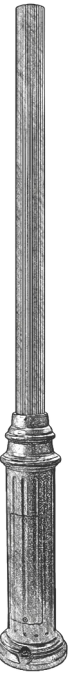
#7706 ( 6' ) ▲

#7707 ( 7' ) ▲

#7708 ( 8' ) ▲

#7710 (10') ▲

#7712 (12') ▲



Cast Aluminum Base

**Unless Otherwise Specified:**

Dimensions in Inches  
Tolerances: Fractional ±  
Angular: Mach ± Bend ±  
Two Place Decimal ±  
Three Place Decimal ±

Construction: All Aluminum

6 1/2" bolt circle base

	Name	Date
Drawn	iv	02/21/17
Checked		
ENG Appr.		
MFR Appr.		
QA		
Comments	CAD Generated Drawing Do Not Manually Update	

**Primelite Mfg Corp**

516-868-4411

**#7706 Post**

Cast Aluminum Base  
Extruded Aluminum Top | Fluted  
Height 6' | Top Gauge .050

Size	Drawing No.	Rev
<b>A</b>	<b>0001</b>	<b>A</b>
Scale	<b>1:9</b>	CAD File
Sheet	<b>1 of 1</b>	