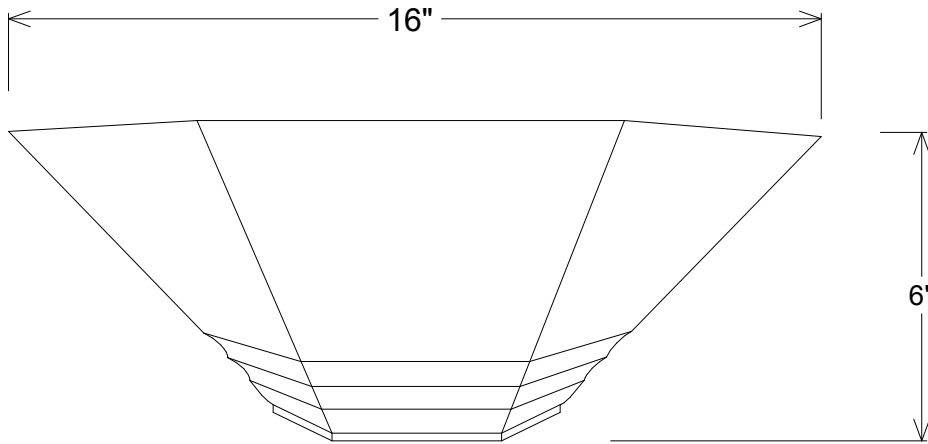
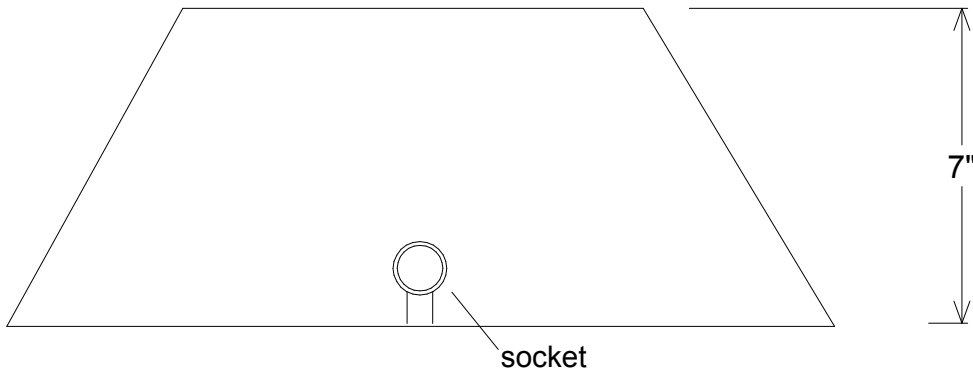


Revisions				
Zone	Rev	Description	Date	Approved



top view



Unless Otherwise Specified: Dimensions in Inches Tolerances: Fractional ± Angular: Mach ± Bend ± Two Place Decimal ± Three Place Decimal ±		Name	Date	Primelight Mfg. Corp.		
	Drawn	T.A.R.	11/3/10			
	Checked					
	ENG Appr.					
	MFR Appr.					
	QA			Size	Drawing No.	Rev
Construction: Acrylic	Comments CAD Generated Drawing Do Not Manually Update			A	0001	A
Lamp: 1-100A				Scale 1:3	CAD File	Sheet 1 of 1