

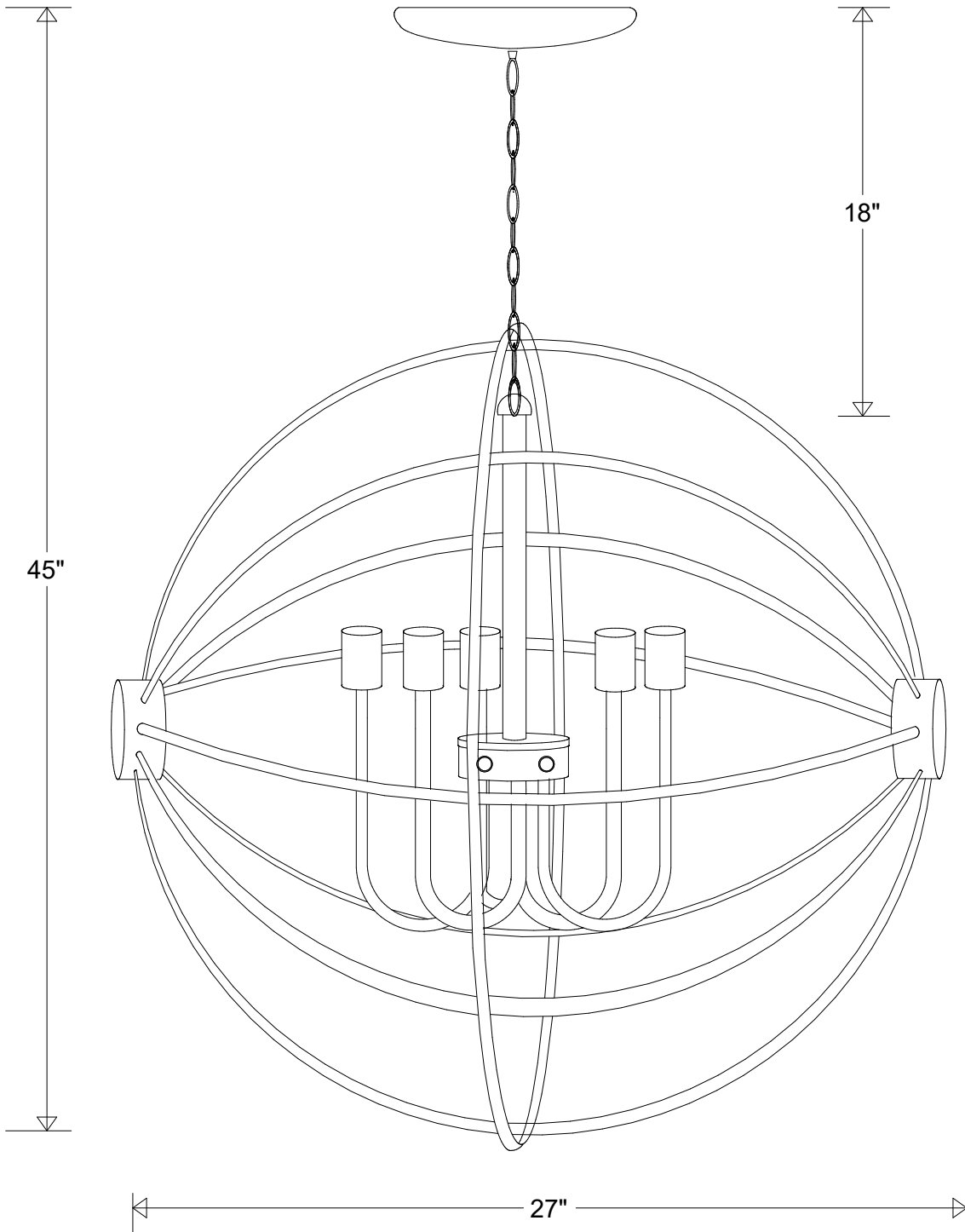



Primelite Manufacturing Corp

407 S Main St, Freeport, NY 11520

Phone: 516-868-4411 | Fax: 516-868-4609
 sales@primelite-mfg.com | www.primelite-mfg.com

PART # #685/27-5	LAMP Incandescent	VOLTAGE 120 V	COLOR Powder Coated Paint
JOB NAME			TYPE Pendant



Lamp: Incandescent LED  5/100A	Name Drawn CB 12/19		Pendant #685/27-5 27" Dia 45" H 18" Chain Sputnik Series "Cynthia"			Revisions					
	Checked ENG Appr.					Size A	Drawing No. 0001	Rev A	Zone	Rev	Description
	Construction: Aluminum		Weight 14 Pounds		Scale	CAD File	Sheet 1 of 1				
	Unless Otherwise Specified: Dimensions in Inches										