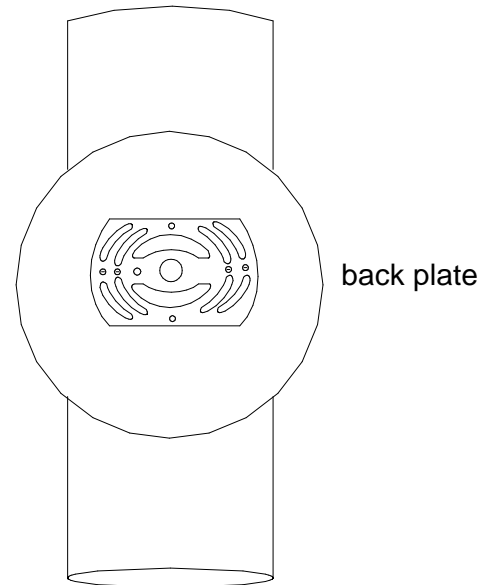
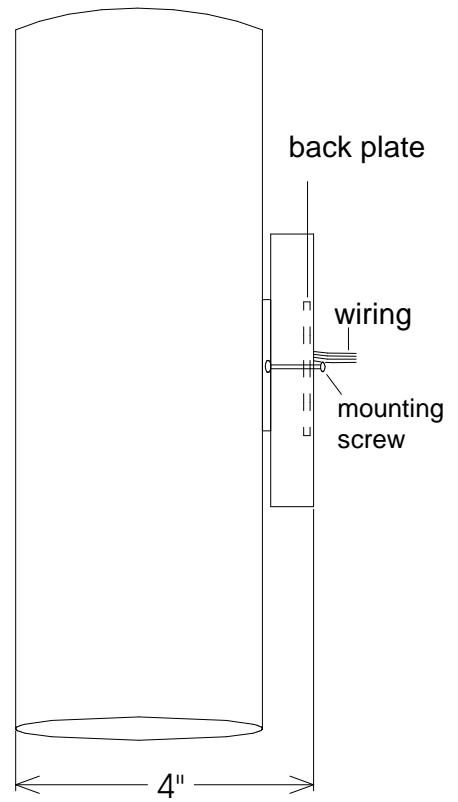


side view



back view

Unless Otherwise Specified: Dimensions in Inches Tolerances: Fractional ± Angular: Mach ± Bend ± Two Place Decimal ± Three Place Decimal ±	Drawn T.A.R.	Date 06/10/10	Primelite Mfg. Corp.		
	Checked T.A.R.	04/21/11			667 2 Light 3" Steel Cylinder
	ENG Appr.				
	MFR Appr.				
	QA				
Construction: All Aluminum	Comments CAD Generated Drawing Do Not Manually Update		Size A	Drawing No. 0001	Rev A
Lamp: 2-60A			Scale 1:2	CAD File	Sheet 1 of 1