

#6600 SB Series:

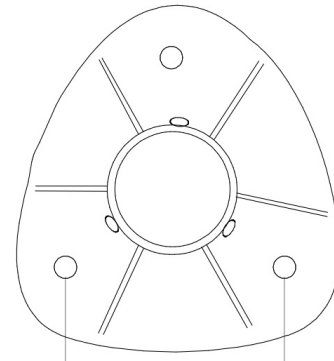
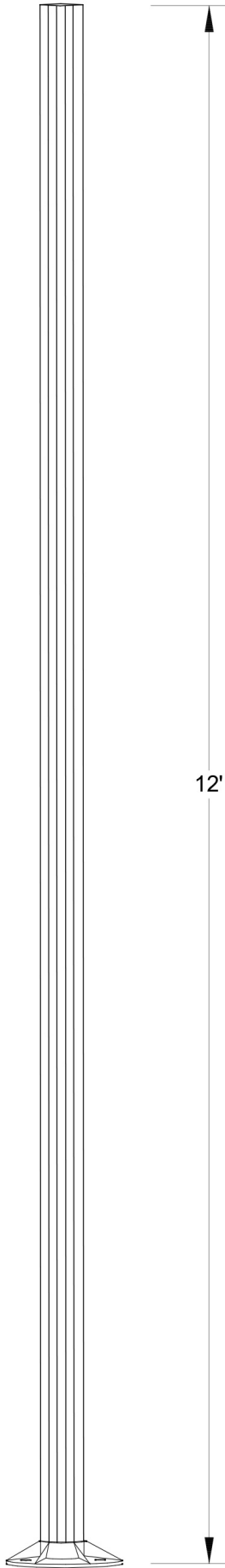
Gauge: .050)

#6607 SB ( 7') ▲

#6608 SB ( 8') ▲

#6610 SB (10') ▲

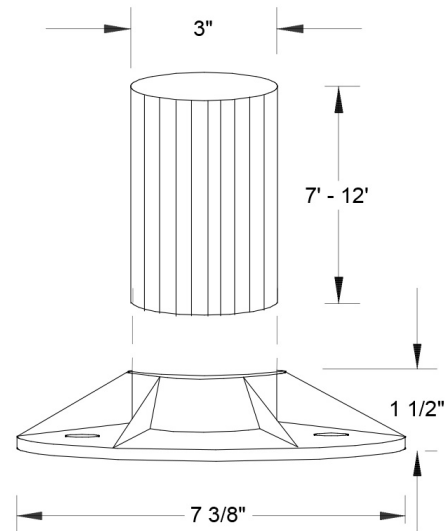
#6612 SB (12') ▲



5 1/2" on center

shoe base top view

Assembly includes: Template, Anchor Bolts, Washers and Nuts.



welded shoe base

		Name	Date	<b>Primelite Mfg. Corp.</b>  <b>#6612 SB Post</b> <b>3" Round Post   Shoe Base   Height 12'</b> <b>Extruded Aluminum   Fluted Surface</b> <b>Gauge .050</b>
Drawn		lv	02/01/17	
Checked				
ENG Appr.				
MFR Appr.				
QA				
Comments CAD Generated Drawing Do Not Manually Update				Size <b>A</b>
Construction: Aluminum				Drawing No. <b>0001</b>
				Rev <b>A</b>
		Scale	CAD File	Sheet <b>1 of 1</b>