

#6600 SB Series:

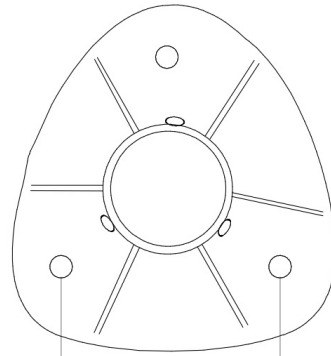
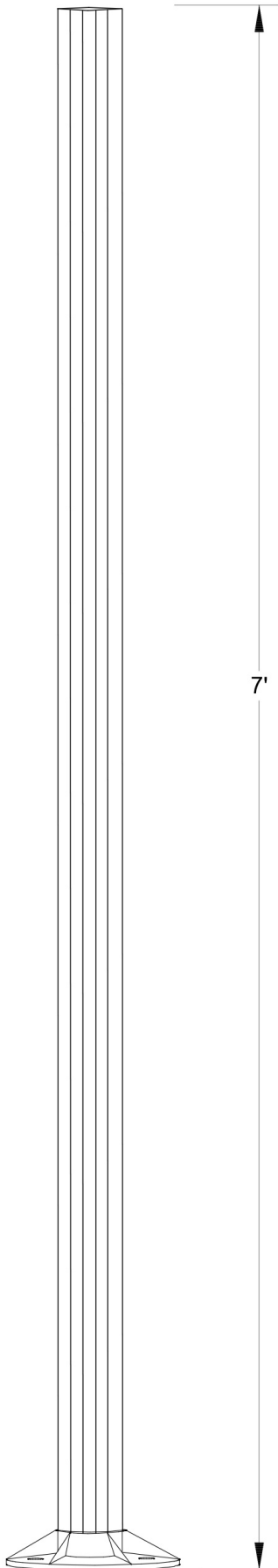
Gauge: .050)

#6607 SB (7') ▲

#6608 SB (8') ▲

#6610 SB (10') ▲

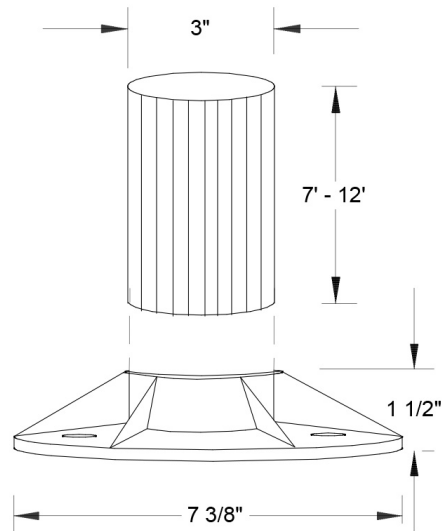
#6612 SB (12') ▲



5 1/2" on center

shoe base top view

Assembly includes: Template, Anchor Bolts, Washers and Nuts.



welded shoe base

		Name	Date	Primelite Mfg. Corp.		
Drawn		iv	02/01/17			#6607 SB Post 3" Round Post Shoe Base Height 7' Extruded Aluminum Fluted Surface Gauge .050
Checked						
ENG Appr.						
MFR Appr.						
QA						
Comments CAD Generated Drawing Do Not Manually Update				Size	Drawing No.	Rev
Construction: Aluminum				A	0001	A
				Scale	CAD File	Sheet
					1 of 1	