

#6600 Series:

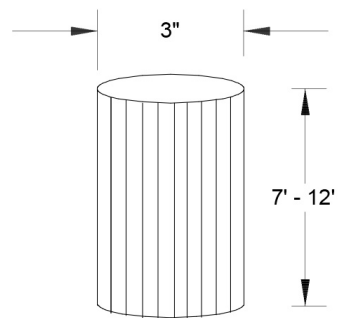
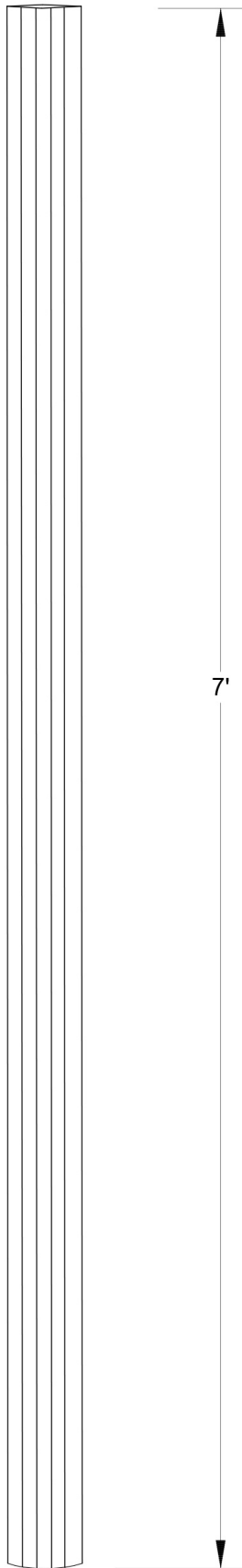
Gauge: .050)

#6607 (7') ▲

#6608 (8') ▲

#6610 (10') ▲

#6612 (12') ▲



		Name	Date	Primelite Mfg. Corp.		
Drawn		Iv	02/01/17			
Checked						
ENG Appr.						
MFR Appr.						
QA						
Comments				Size	Drawing No.	Rev
CAD Generated Drawing Do Not Manually Update				A	0001	A
Construction: Aluminum				Scale	CAD File	Sheet 1 of 1