

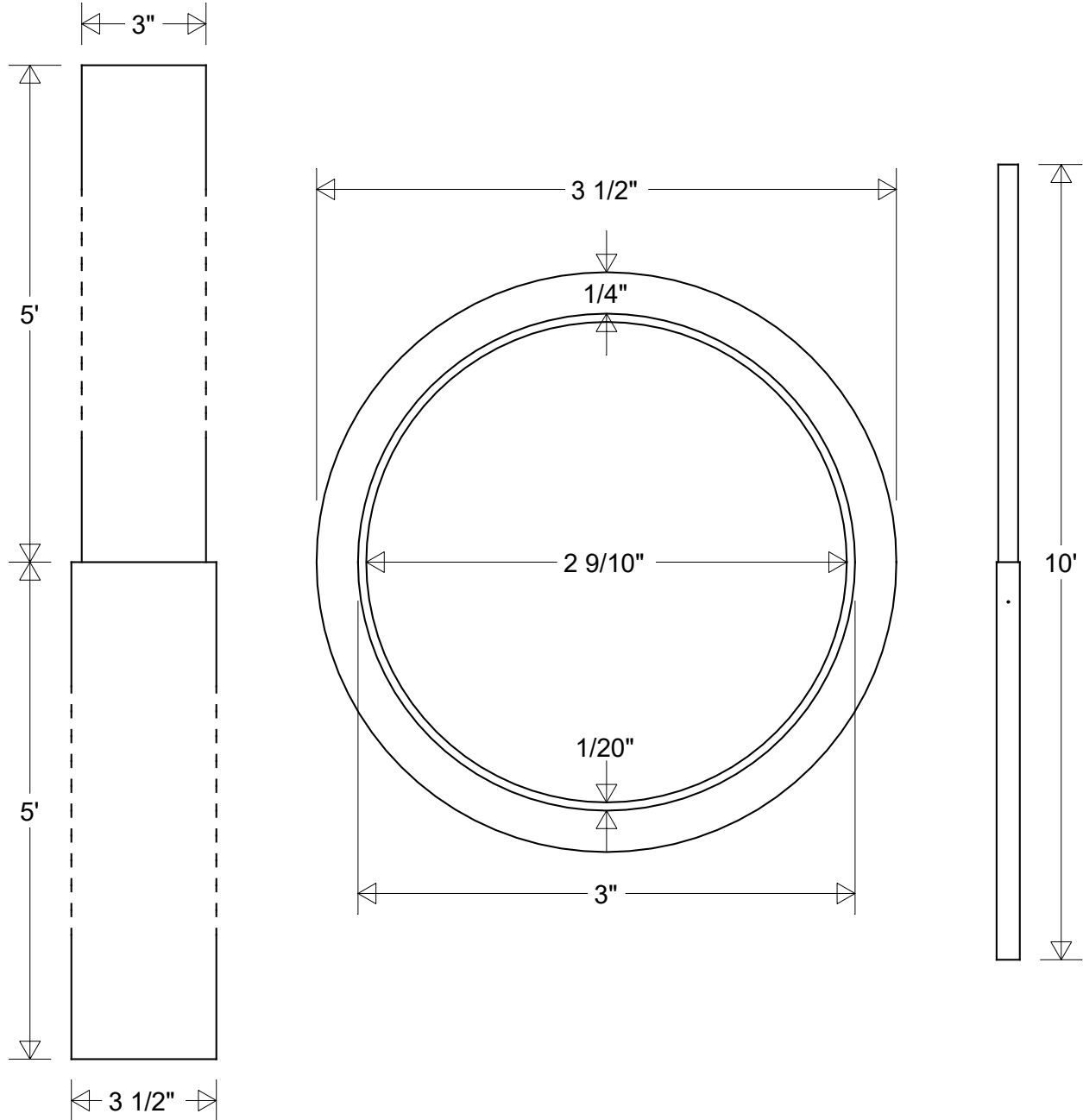


# Primelite Manufacturing Corp

407 S Main St, Freeport, NY 11520

Phone: 516-868-4411 | Fax: 516-868-4609  
 sales@primelite-mfg.com | www.primelite-mfg.com

PART # #6310	LAMP N/A	VOLTAGE N/A	COLOR Powder Coated Paint
JOB NAME			TYPE Telescopic Post



Lamp: N/A	Initials	Date	<b>#6310</b>								
	Drawn	CB						06/2023			
	Checked			3 1/2" Dia Base   3" Dia Pole   10' H Standard Gauge (.05 or 1/20") Top							
ENG Appr.											
Construction: Aluminum	MFR Appr.			Size	Drawing No.	Rev	<b>Revisions</b>				
	QA			<b>A</b>	<b>0001</b>	<b>A</b>					
Unless Otherwise Specified: Dimensions in Inches	Weight:			Scale	CAD File	Sheet	Zone	Rev	Description	Date	Appr
						<b>1 of 1</b>					