

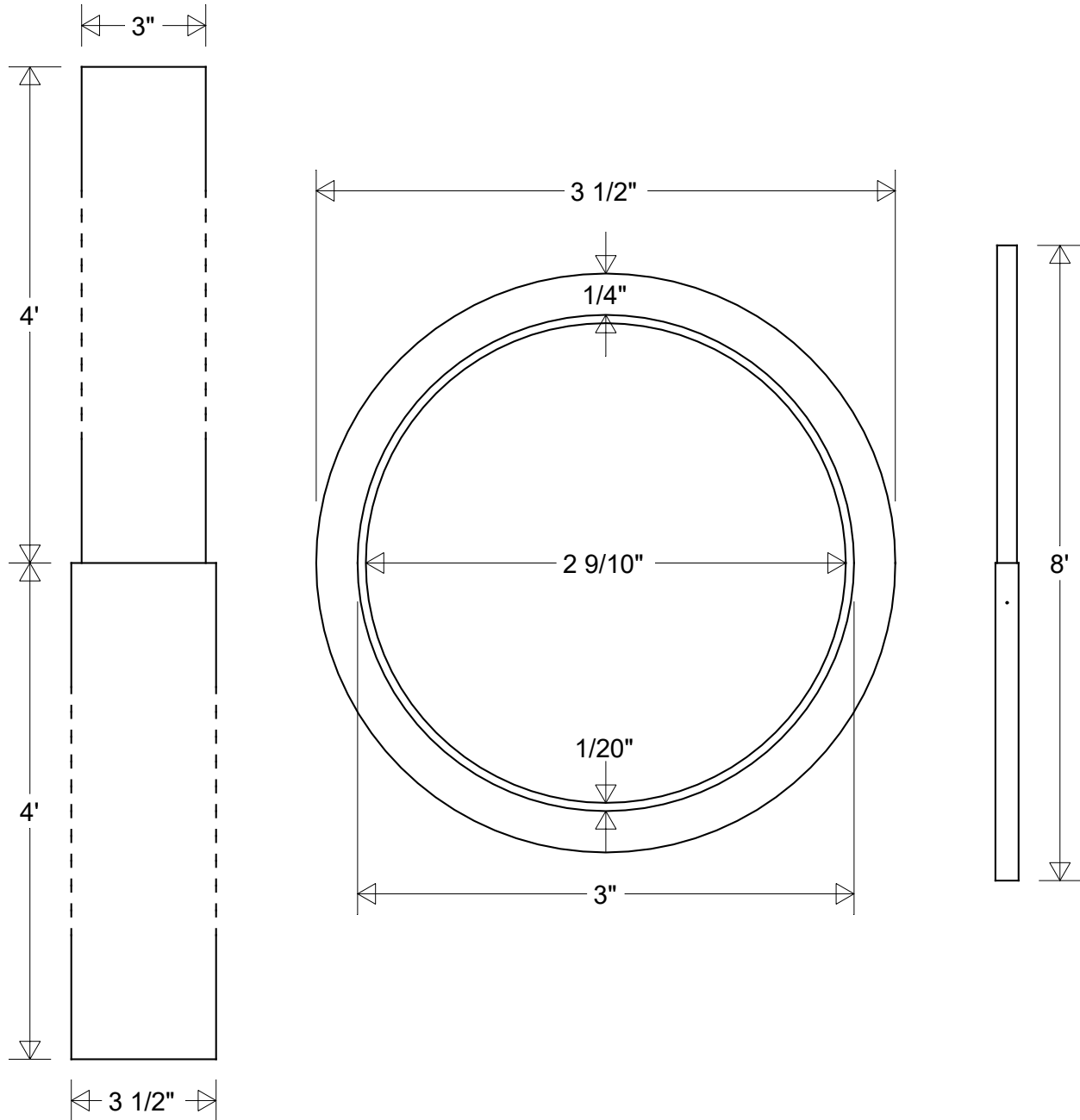


Primelite Manufacturing Corp

407 S Main St, Freeport, NY 11520

Phone: 516-868-4411 | Fax: 516-868-4609
 sales@primelite-mfg.com | www.primelite-mfg.com

PART # #6308	LAMP N/A	VOLTAGE N/A	COLOR Powder Coated Paint
JOB NAME			TYPE Telescopic Post



Lamp: N/A	Initials	Date	#6308					
	Drawn	CB						06/2023
	Checked			3 1/2" Dia Base 3" Dia Pole 8' H Standard Gauge (.05 or 1/20") Top			Revisions	
Construction: Aluminum	ENG Appr.			Zone	Rev	Description	Date	Appr
	MFR Appr.							
Unless Otherwise Specified: Dimensions in Inches	Weight:		Scale	Drawing No. A	0001	Rev A		
				CAD File		Sheet	1 of 1	