

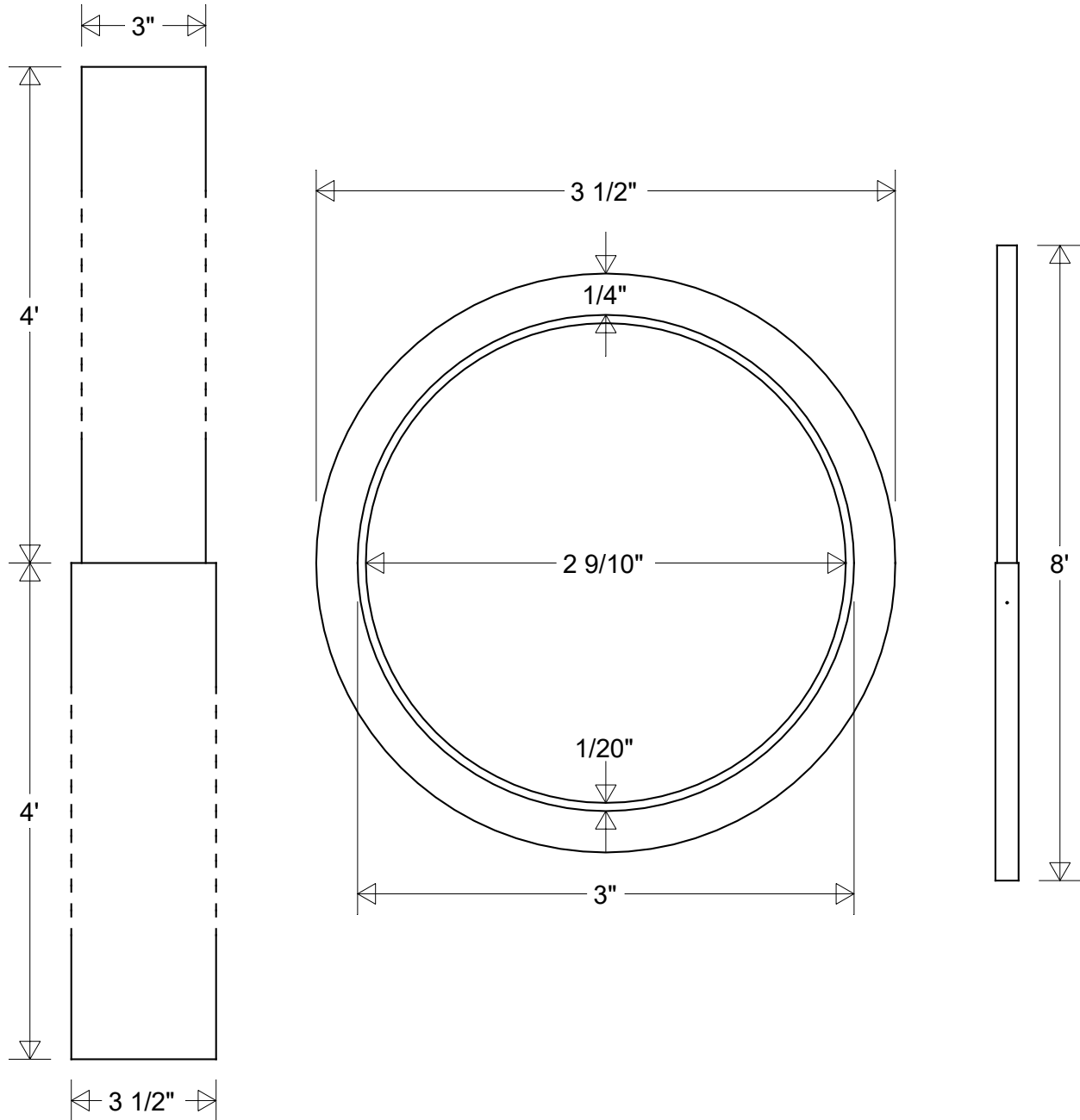


# Primelite Manufacturing Corp

407 S Main St, Freeport, NY 11520

Phone: 516-868-4411 | Fax: 516-868-4609  
 sales@primelite-mfg.com | www.primelite-mfg.com

|                 |             |                |                              |
|-----------------|-------------|----------------|------------------------------|
| PART #<br>#6308 | LAMP<br>N/A | VOLTAGE<br>N/A | COLOR<br>Powder Coated Paint |
| JOB NAME        |             |                | TYPE<br>Telescopic Post      |



|   |           |      |              |   |             |          |               |             |      |      |  |
|---|-----------|------|--------------|---|-------------|----------|---------------|-------------|------|------|--|
| Lamp: N/A   | Initials  | Date | <b>#6308</b> |   |             |          |               |             |      |      |  |
|   | Drawn     | CB   |              |   |             |          |               | 06/2023     |      |      |  |
|   | Checked   |      |              | 3 1/2" Dia Base   3" Dia Pole   8' H<br>Standard Gauge (.05 or 1/20") Top |             |          | Revisions     |             |      |      |  |
| ENG Appr.   |           |      | Zone         |   |             |          | Rev           | Description | Date | Appr |  |
| Construction:<br>Aluminum                           | MFR Appr. |      |              | Size  | Drawing No. | Rev      |               |             |      |      |  |
|   | QA        |      |              | <b>A</b>  | <b>0001</b> | <b>A</b> |               |             |      |      |  |
| Unless Otherwise Specified:<br>Dimensions in Inches | Weight:   |      |              | Scale   | CAD File    | Sheet    | <b>1 of 1</b> |             |      |      |  |

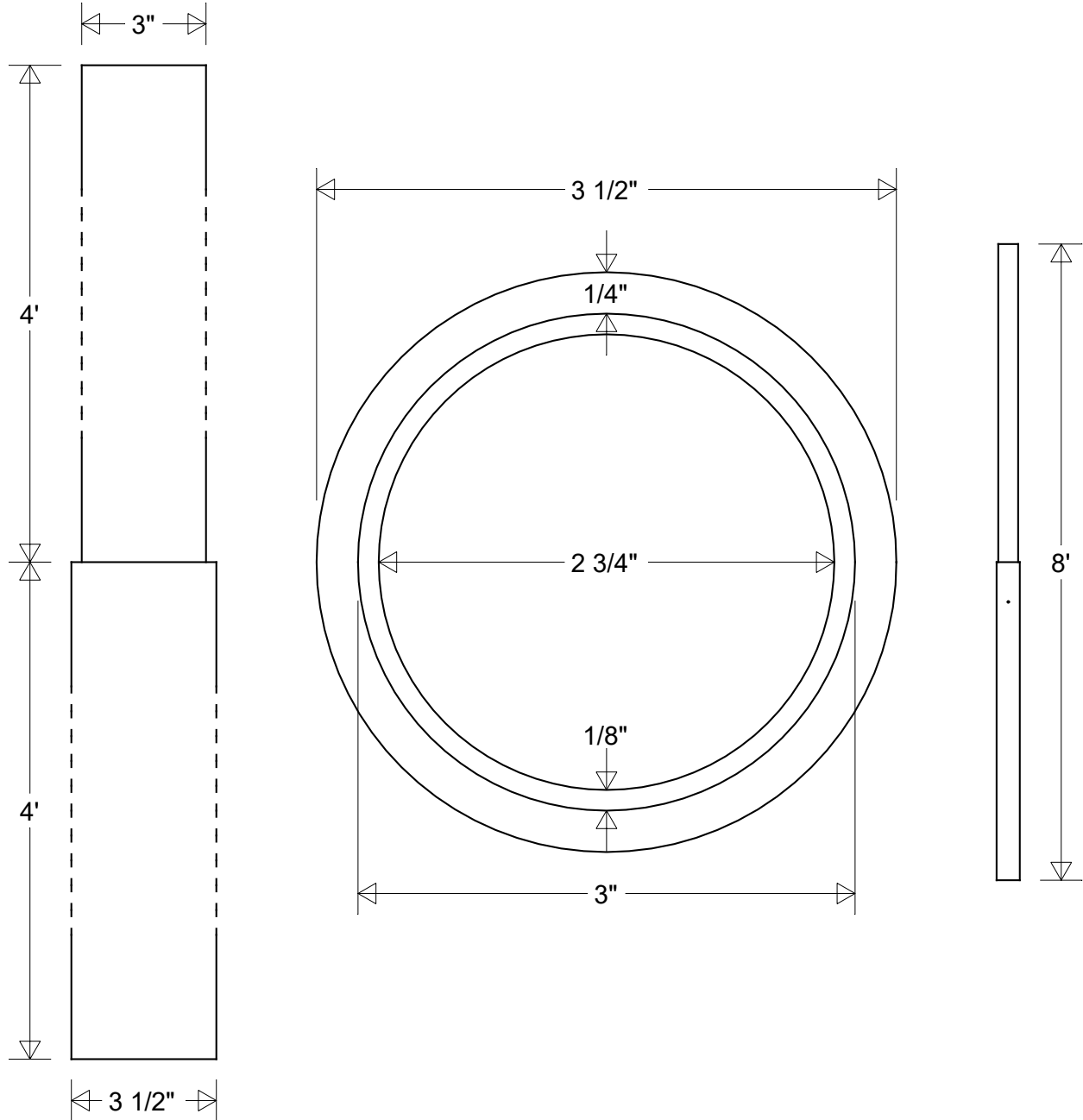


# Primelite Manufacturing Corp

407 S Main St, Freeport, NY 11520

Phone: 516-868-4411 | Fax: 516-868-4609  
 sales@primelite-mfg.com | www.primelite-mfg.com

|                 |             |                |                              |
|-----------------|-------------|----------------|------------------------------|
| PART #<br>#6328 | LAMP<br>N/A | VOLTAGE<br>N/A | COLOR<br>Powder Coated Paint |
| JOB NAME        |             |                | TYPE<br>Telescopic Post      |



|   |           |      |                  |  |             |               |      |         |             |      |      |
|---|-----------|------|------------------|--|-------------|---------------|------|---------|-------------|------|------|
| Lamp: N/A   | Initials  | Date | <b>#6328</b>     |  |             |               |      |         |             |      |      |
|   | Drawn     | CB   |                  |  |             |               |      | 06/2023 |             |      |      |
|   | Checked   |      |                  | 3 1/2" Dia Base   3" Dia Pole   8' H<br>Heavy Gauge (.125 or 1/8") Top |             |               |      |         |             |      |      |
| ENG Appr.   |           |      | <b>Revisions</b> |  |             |               |      |         |             |      |      |
| Construction:<br>Aluminum                           | MFR Appr. |      |                  | Size   | Drawing No. | Rev           | Zone | Rev     | Description | Date | Appr |
|   | QA        |      |                  | <b>A</b>   | <b>0001</b> | <b>A</b>      |      |         |             |      |      |
| Unless Otherwise Specified:<br>Dimensions in Inches | Weight:   |      |                  | Scale  | CAD File    | Sheet         |      |         |             |      |      |
|   |           |      |                  |  |             | <b>1 of 1</b> |      |         |             |      |      |

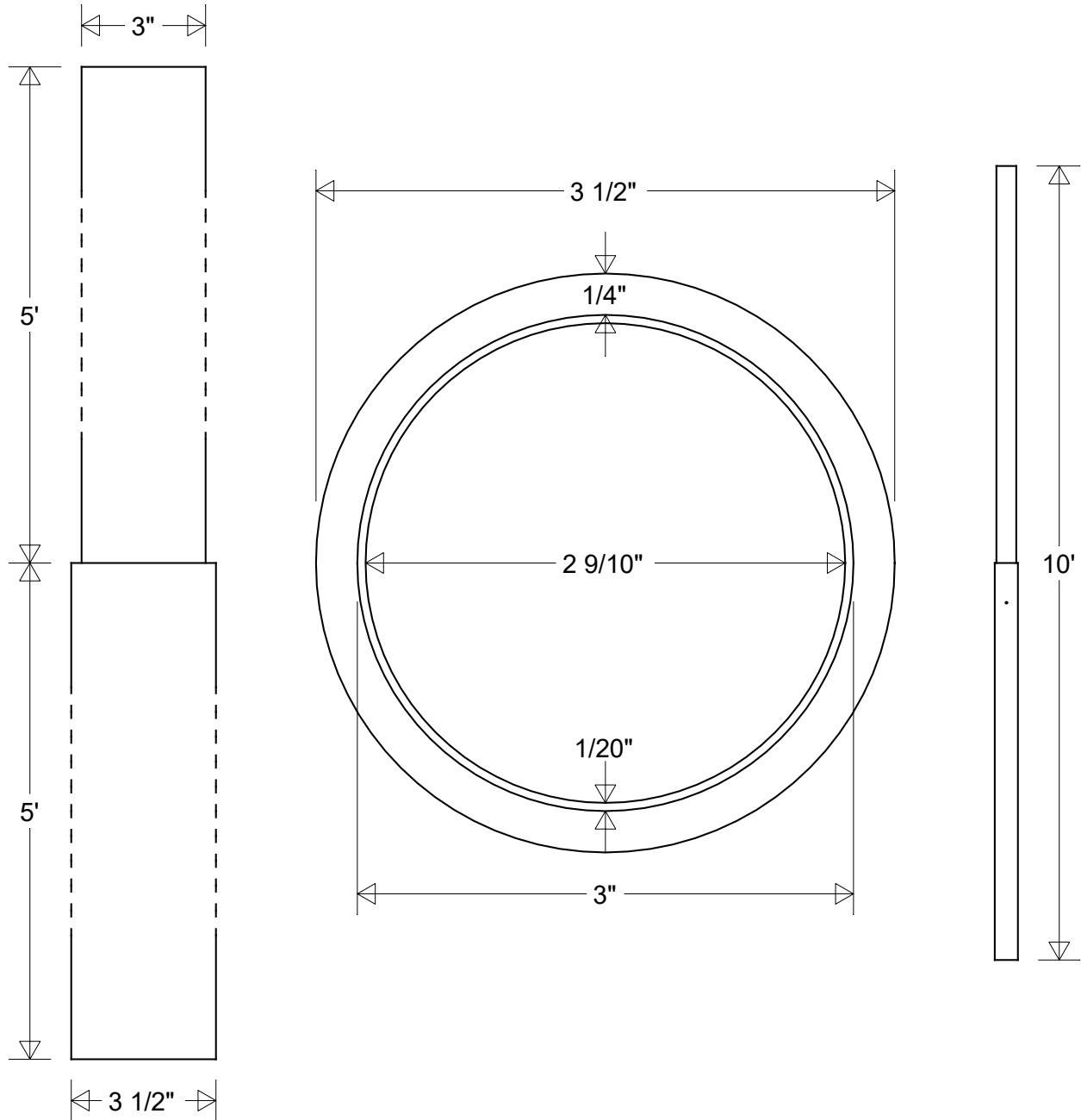


# Primelite Manufacturing Corp

407 S Main St, Freeport, NY 11520

Phone: 516-868-4411 | Fax: 516-868-4609  
 sales@primelite-mfg.com | www.primelite-mfg.com

|                 |             |                |                              |
|-----------------|-------------|----------------|------------------------------|
| PART #<br>#6310 | LAMP<br>N/A | VOLTAGE<br>N/A | COLOR<br>Powder Coated Paint |
| JOB NAME        |             |                | TYPE<br>Telescopic Post      |



| Lamp: N/A   | Initials  | Date        | <b>#6310</b>   |  |          |               |  |         |           |  |  |  |  |      |     |             |      |      |  |  |  |  |  |  |  |  |  |  |  |  |  |  |
|---|-----------|-------------|--|--|----------|---------------|--|---------|-----------|--|--|--|--|------|-----|-------------|------|------|--|--|--|--|--|--|--|--|--|--|--|--|--|--|
|   | Drawn     | CB          |  |  |          |               |  | 06/2023 |           |  |  |  |  |      |     |             |      |      |  |  |  |  |  |  |  |  |  |  |  |  |  |  |
|   | Checked   |             |  | 3 1/2" Dia Base   3" Dia Pole   10' H<br>Standard Gauge (.05 or 1/20") Top |          |               |  |         |           |  |  |  |  |      |     |             |      |      |  |  |  |  |  |  |  |  |  |  |  |  |  |  |
| ENG Appr.   |           |             | <table border="1"> <thead> <tr> <th colspan="5">Revisions</th> </tr> <tr> <th>Zone</th> <th>Rev</th> <th>Description</th> <th>Date</th> <th>Appr</th> </tr> </thead> <tbody> <tr> <td> </td> <td> </td> <td> </td> <td> </td> <td> </td> </tr> <tr> <td> </td> <td> </td> <td> </td> <td> </td> <td> </td> </tr> <tr> <td> </td> <td> </td> <td> </td> <td> </td> <td> </td> </tr> </tbody> </table> |  |          |               |  |         | Revisions |  |  |  |  | Zone | Rev | Description | Date | Appr |  |  |  |  |  |  |  |  |  |  |  |  |  |  |
| Revisions   |           |             |  |  |          |               |  |         |           |  |  |  |  |      |     |             |      |      |  |  |  |  |  |  |  |  |  |  |  |  |  |  |
| Zone  | Rev       | Description | Date   | Appr   |          |               |  |         |           |  |  |  |  |      |     |             |      |      |  |  |  |  |  |  |  |  |  |  |  |  |  |  |
|   |           |             |  |  |          |               |  |         |           |  |  |  |  |      |     |             |      |      |  |  |  |  |  |  |  |  |  |  |  |  |  |  |
|   |           |             |  |  |          |               |  |         |           |  |  |  |  |      |     |             |      |      |  |  |  |  |  |  |  |  |  |  |  |  |  |  |
|   |           |             |  |  |          |               |  |         |           |  |  |  |  |      |     |             |      |      |  |  |  |  |  |  |  |  |  |  |  |  |  |  |
| Construction:<br>Aluminum                           | MFR Appr. |             | Size   | Drawing No.  | Rev      |               |  |         |           |  |  |  |  |      |     |             |      |      |  |  |  |  |  |  |  |  |  |  |  |  |  |  |
|   | QA        |             | <b>A</b>   | <b>0001</b>  | <b>A</b> |               |  |         |           |  |  |  |  |      |     |             |      |      |  |  |  |  |  |  |  |  |  |  |  |  |  |  |
| Unless Otherwise Specified:<br>Dimensions in Inches | Weight:   |             | Scale  | CAD File   | Sheet    | <b>1 of 1</b> |  |         |           |  |  |  |  |      |     |             |      |      |  |  |  |  |  |  |  |  |  |  |  |  |  |  |

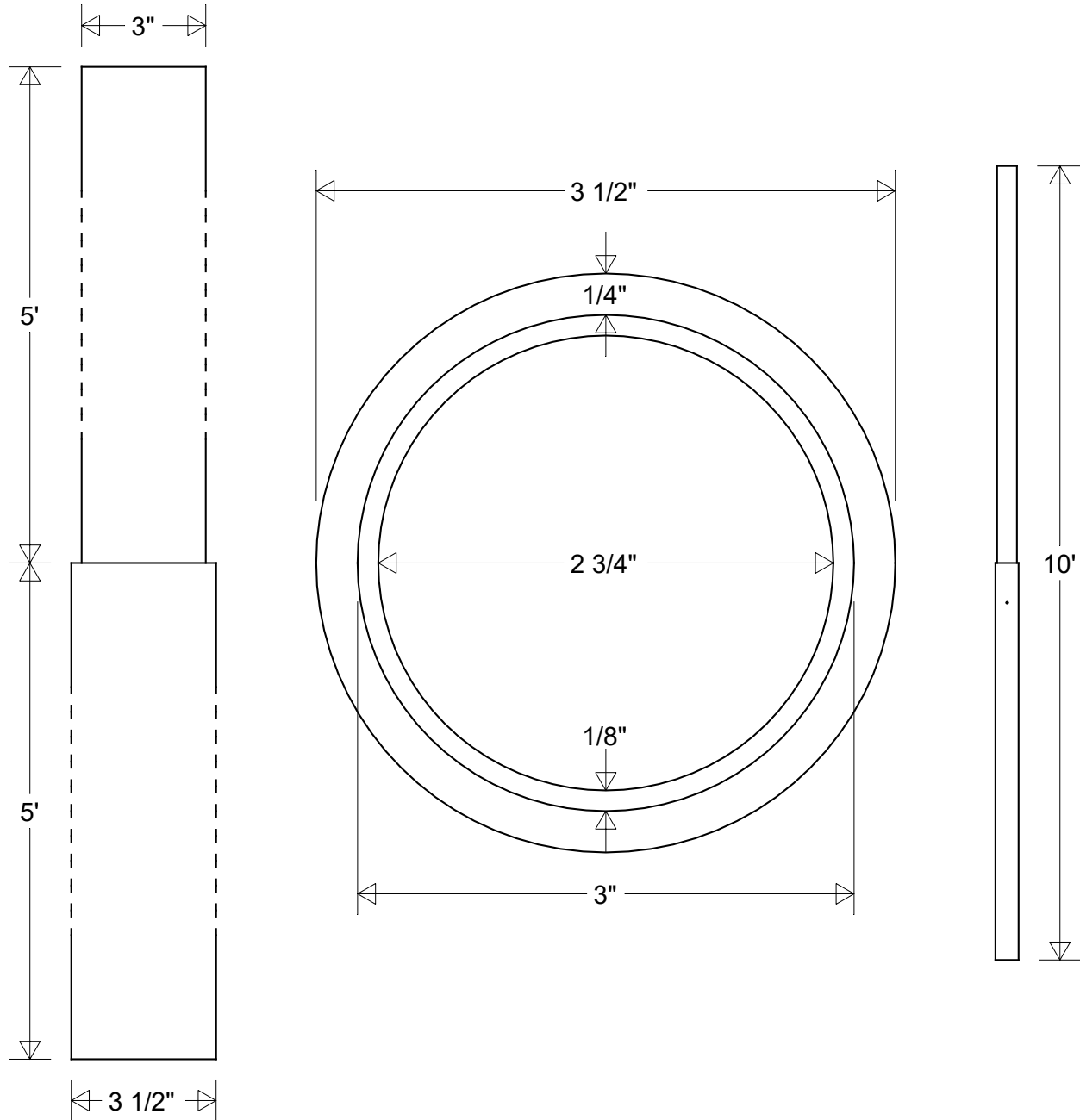


# Primelite Manufacturing Corp

407 S Main St, Freeport, NY 11520

Phone: 516-868-4411 | Fax: 516-868-4609  
 sales@primelite-mfg.com | www.primelite-mfg.com

|                 |             |                |                              |
|-----------------|-------------|----------------|------------------------------|
| PART #<br>#6330 | LAMP<br>N/A | VOLTAGE<br>N/A | COLOR<br>Powder Coated Paint |
| JOB NAME        |             |                | TYPE<br>Telescopic Post      |



| Lamp: N/A   | Initials  | Date        | <b>#6330</b> |   |          |  |  |         |  |  |           |  |  |  |  |      |     |             |      |      |  |  |  |  |  |  |  |  |  |  |  |  |
|---|-----------|-------------|--------------|---|----------|--|--|---------|--|--|-----------|--|--|--|--|------|-----|-------------|------|------|--|--|--|--|--|--|--|--|--|--|--|--|
|   | Drawn     | CB          |              |   |          |  |  | 06/2023 |  |  |           |  |  |  |  |      |     |             |      |      |  |  |  |  |  |  |  |  |  |  |  |  |
|   | Checked   |             |              | 3 1/2" Dia Base   3" Dia Pole   10' H<br>Heavy Gauge (.125 or 1/8") Top |          |  |  |         |  |  |           |  |  |  |  |      |     |             |      |      |  |  |  |  |  |  |  |  |  |  |  |  |
| ENG Appr.   |           |             |              |   |          |  |  |         |  |  |           |  |  |  |  |      |     |             |      |      |  |  |  |  |  |  |  |  |  |  |  |  |
| Construction:<br>Aluminum                           | MFR Appr. |             | Size         | Drawing No.   | Rev      | <table border="1"> <thead> <tr> <th colspan="5">Revisions</th> </tr> <tr> <th>Zone</th> <th>Rev</th> <th>Description</th> <th>Date</th> <th>Appr</th> </tr> </thead> <tbody> <tr> <td> </td> <td> </td> <td> </td> <td> </td> <td> </td> <td> </td> </tr> <tr> <td> </td> <td> </td> <td> </td> <td> </td> <td> </td> <td> </td> </tr> </tbody> </table> |  |         |  |  | Revisions |  |  |  |  | Zone | Rev | Description | Date | Appr |  |  |  |  |  |  |  |  |  |  |  |  |
|   | Revisions |             |              |   |          |  |  |         |  |  |           |  |  |  |  |      |     |             |      |      |  |  |  |  |  |  |  |  |  |  |  |  |
| Zone  | Rev       | Description | Date         | Appr  |          |  |  |         |  |  |           |  |  |  |  |      |     |             |      |      |  |  |  |  |  |  |  |  |  |  |  |  |
|   |           |             |              |   |          |  |  |         |  |  |           |  |  |  |  |      |     |             |      |      |  |  |  |  |  |  |  |  |  |  |  |  |
|   |           |             |              |   |          |  |  |         |  |  |           |  |  |  |  |      |     |             |      |      |  |  |  |  |  |  |  |  |  |  |  |  |
| QA  |           |             | <b>A</b>     | <b>0001</b>   | <b>A</b> |  |  |         |  |  |           |  |  |  |  |      |     |             |      |      |  |  |  |  |  |  |  |  |  |  |  |  |
| Unless Otherwise Specified:<br>Dimensions in Inches | Weight:   |             | Scale        | CAD File  | Sheet    | <b>1 of 1</b>  |  |         |  |  |           |  |  |  |  |      |     |             |      |      |  |  |  |  |  |  |  |  |  |  |  |  |

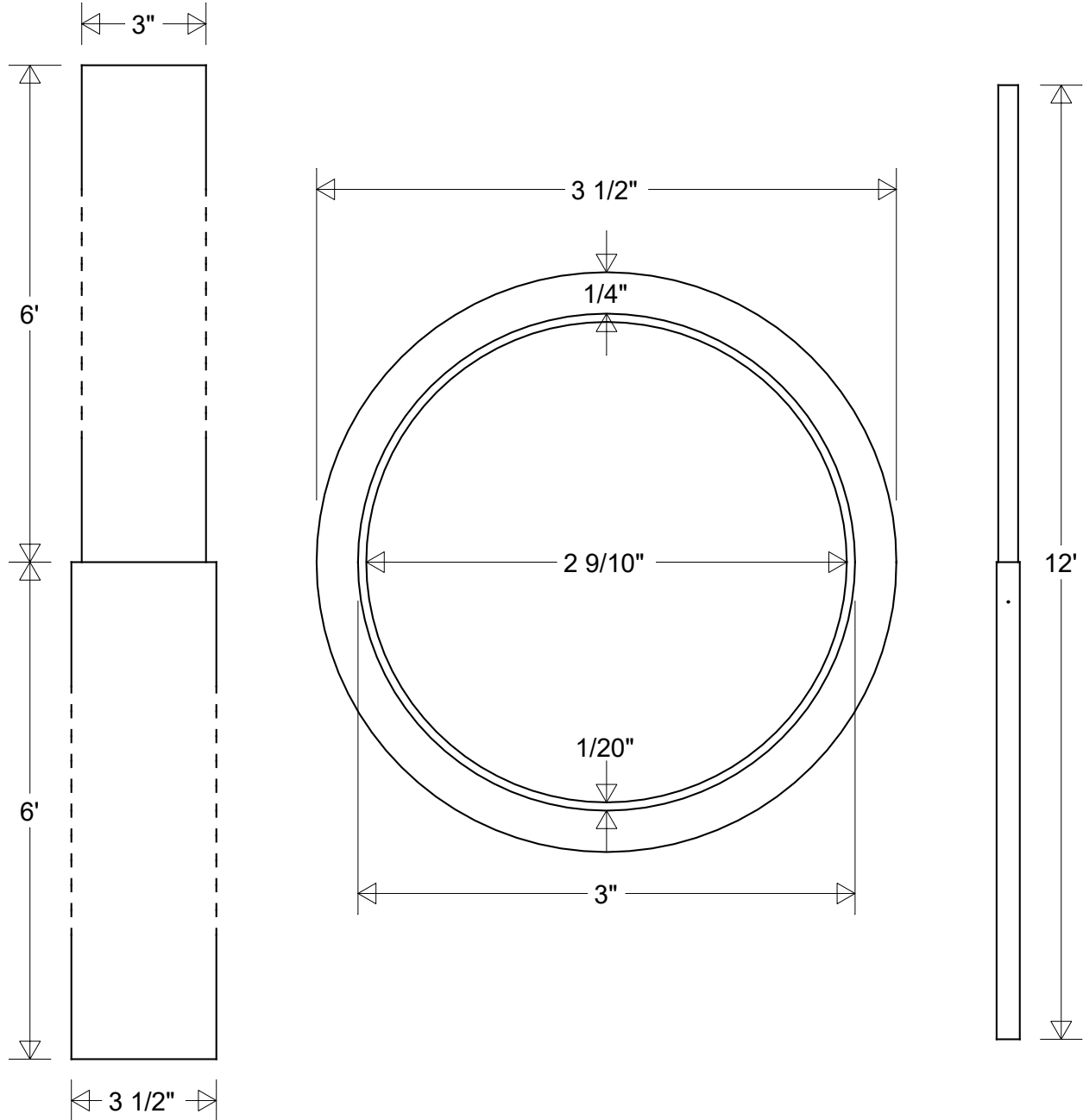


# Primelite Manufacturing Corp

407 S Main St, Freeport, NY 11520

Phone: 516-868-4411 | Fax: 516-868-4609  
 sales@primelite-mfg.com | www.primelite-mfg.com

|                 |             |                |                              |
|-----------------|-------------|----------------|------------------------------|
| PART #<br>#6312 | LAMP<br>N/A | VOLTAGE<br>N/A | COLOR<br>Powder Coated Paint |
| JOB NAME        |             |                | TYPE<br>Telescopic Post      |



|   |           |      |                  |  |             |          |               |         |             |      |      |
|---|-----------|------|------------------|--|-------------|----------|---------------|---------|-------------|------|------|
| Lamp: N/A   | Initials  | Date | <b>#6312</b>     |  |             |          |               |         |             |      |      |
|   | Drawn     | CB   |                  |  |             |          |               | 06/2023 |             |      |      |
|   | Checked   |      |                  | 3 1/2" Dia Base   3" Dia Pole   12' H<br>Standard Gauge (.05 or 1/20") Top |             |          |               |         |             |      |      |
| ENG Appr.   |           |      | <b>Revisions</b> |  |             |          |               |         |             |      |      |
| Construction:<br>Aluminum                           | MFR Appr. |      |                  | Size   | Drawing No. | Rev      | Zone          | Rev     | Description | Date | Appr |
|   | QA        |      |                  | <b>A</b>   | <b>0001</b> | <b>A</b> |               |         |             |      |      |
| Unless Otherwise Specified:<br>Dimensions in Inches | Weight:   |      |                  | Scale  | CAD File    | Sheet    | <b>1 of 1</b> |         |             |      |      |

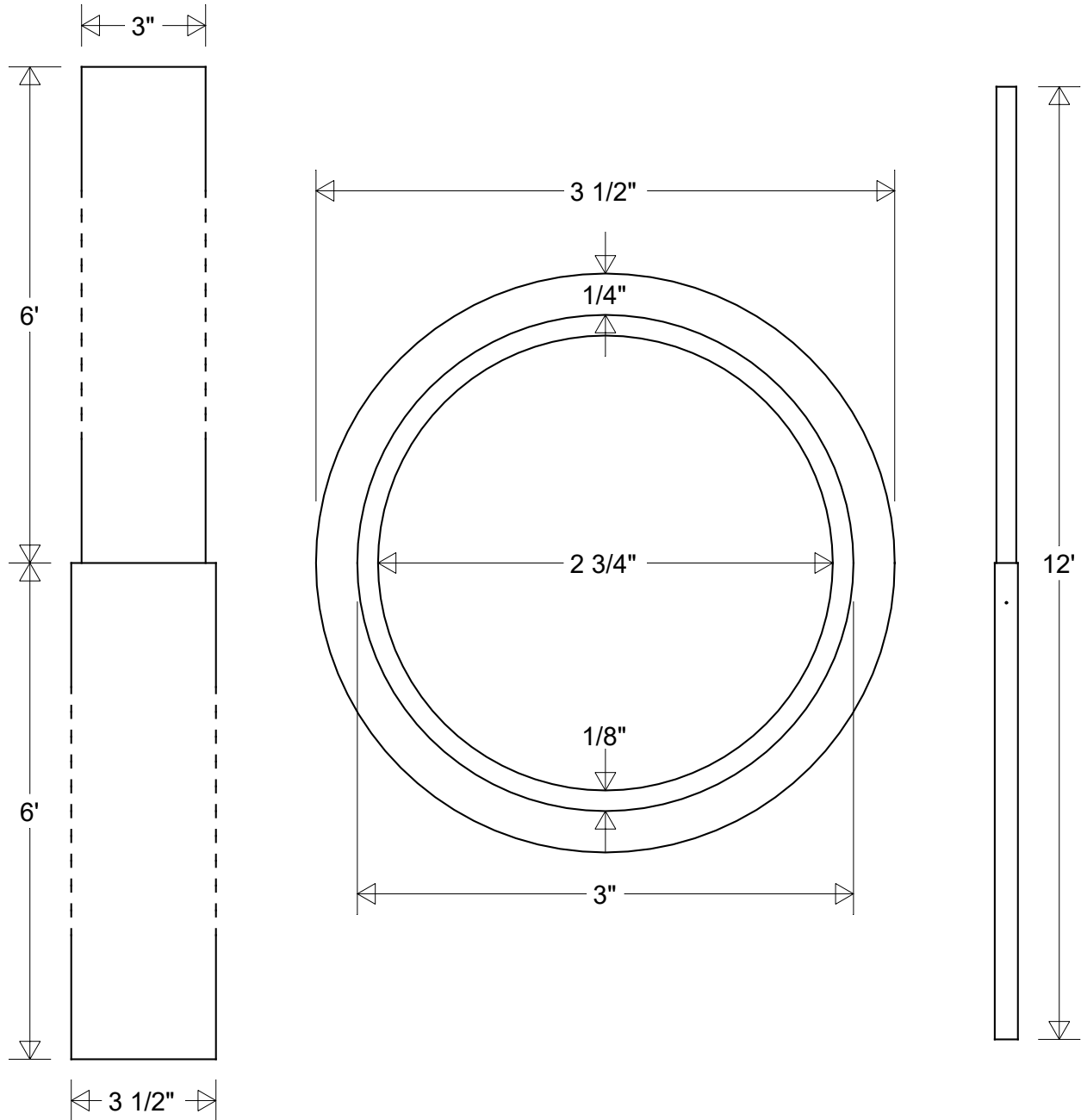


# Primelite Manufacturing Corp

407 S Main St, Freeport, NY 11520

Phone: 516-868-4411 | Fax: 516-868-4609  
 sales@primelite-mfg.com | www.primelite-mfg.com

|                 |             |                |                              |
|-----------------|-------------|----------------|------------------------------|
| PART #<br>#6332 | LAMP<br>N/A | VOLTAGE<br>N/A | COLOR<br>Powder Coated Paint |
| JOB NAME        |             |                | TYPE<br>Telescopic Post      |



|   |           |      |                  |   |             |          |               |         |             |      |      |
|---|-----------|------|------------------|---|-------------|----------|---------------|---------|-------------|------|------|
| Lamp: N/A   | Initials  | Date | <b>#6332</b>     |   |             |          |               |         |             |      |      |
|   | Drawn     | CB   |                  |   |             |          |               | 06/2023 |             |      |      |
|   | Checked   |      |                  | 3 1/2" Dia Base   3" Dia Pole   12' H<br>Heavy Gauge (.125 or 1/8") Top |             |          |               |         |             |      |      |
| ENG Appr.   |           |      | <b>Revisions</b> |   |             |          |               |         |             |      |      |
| Construction:<br>Aluminum                           | MFR Appr. |      |                  | Size  | Drawing No. | Rev      | Zone          | Rev     | Description | Date | Appr |
|   | QA        |      |                  | <b>A</b>  | <b>0001</b> | <b>A</b> |               |         |             |      |      |
| Unless Otherwise Specified:<br>Dimensions in Inches | Weight:   |      |                  | Scale   | CAD File    | Sheet    | <b>1 of 1</b> |         |             |      |      |

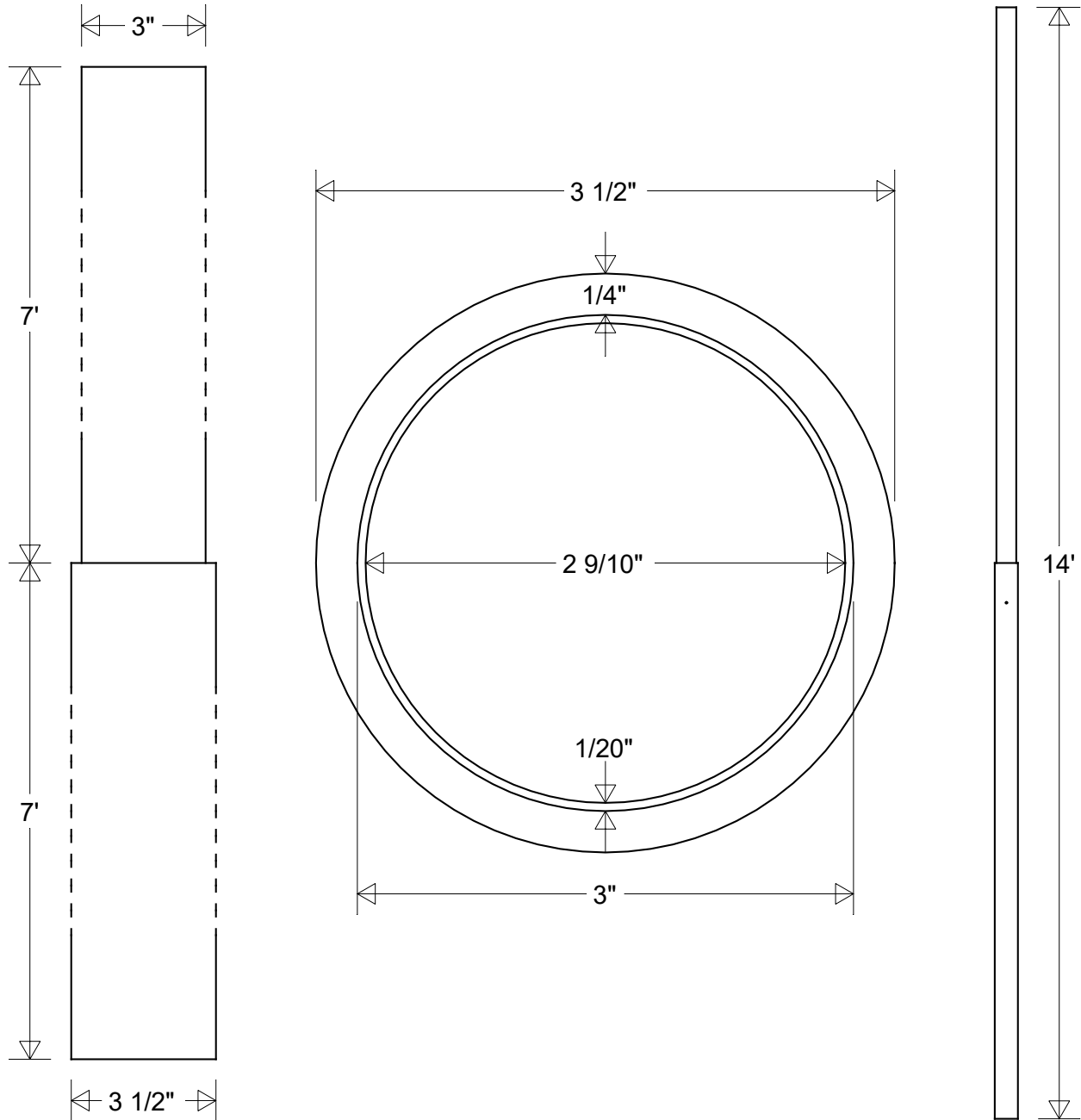


# Primelite Manufacturing Corp

407 S Main St, Freeport, NY 11520

Phone: 516-868-4411 | Fax: 516-868-4609  
 sales@primelite-mfg.com | www.primelite-mfg.com

|                 |             |                |                              |
|-----------------|-------------|----------------|------------------------------|
| PART #<br>#6314 | LAMP<br>N/A | VOLTAGE<br>N/A | COLOR<br>Powder Coated Paint |
| JOB NAME        |             |                | TYPE<br>Telescopic Post      |



|   |           |      |                  |  |             |               |      |         |             |      |      |
|---|-----------|------|------------------|--|-------------|---------------|------|---------|-------------|------|------|
| Lamp: N/A   | Initials  | Date | <b>#6314</b>     |  |             |               |      |         |             |      |      |
|   | Drawn     | CB   |                  |  |             |               |      | 06/2023 |             |      |      |
|   | Checked   |      |                  | 3 1/2" Dia Base   3" Dia Pole   14' H<br>Standard Gauge (.05 or 1/20") Top |             |               |      |         |             |      |      |
| ENG Appr.   |           |      | <b>Revisions</b> |  |             |               |      |         |             |      |      |
| Construction:<br>Aluminum                           | MFR Appr. |      |                  | Size   | Drawing No. | Rev           | Zone | Rev     | Description | Date | Appr |
|   | QA        |      |                  | <b>A</b>   | <b>0001</b> | <b>A</b>      |      |         |             |      |      |
| Unless Otherwise Specified:<br>Dimensions in Inches | Weight:   |      |                  | Scale  | CAD File    | Sheet         |      |         |             |      |      |
|   |           |      |                  |  |             | <b>1 of 1</b> |      |         |             |      |      |

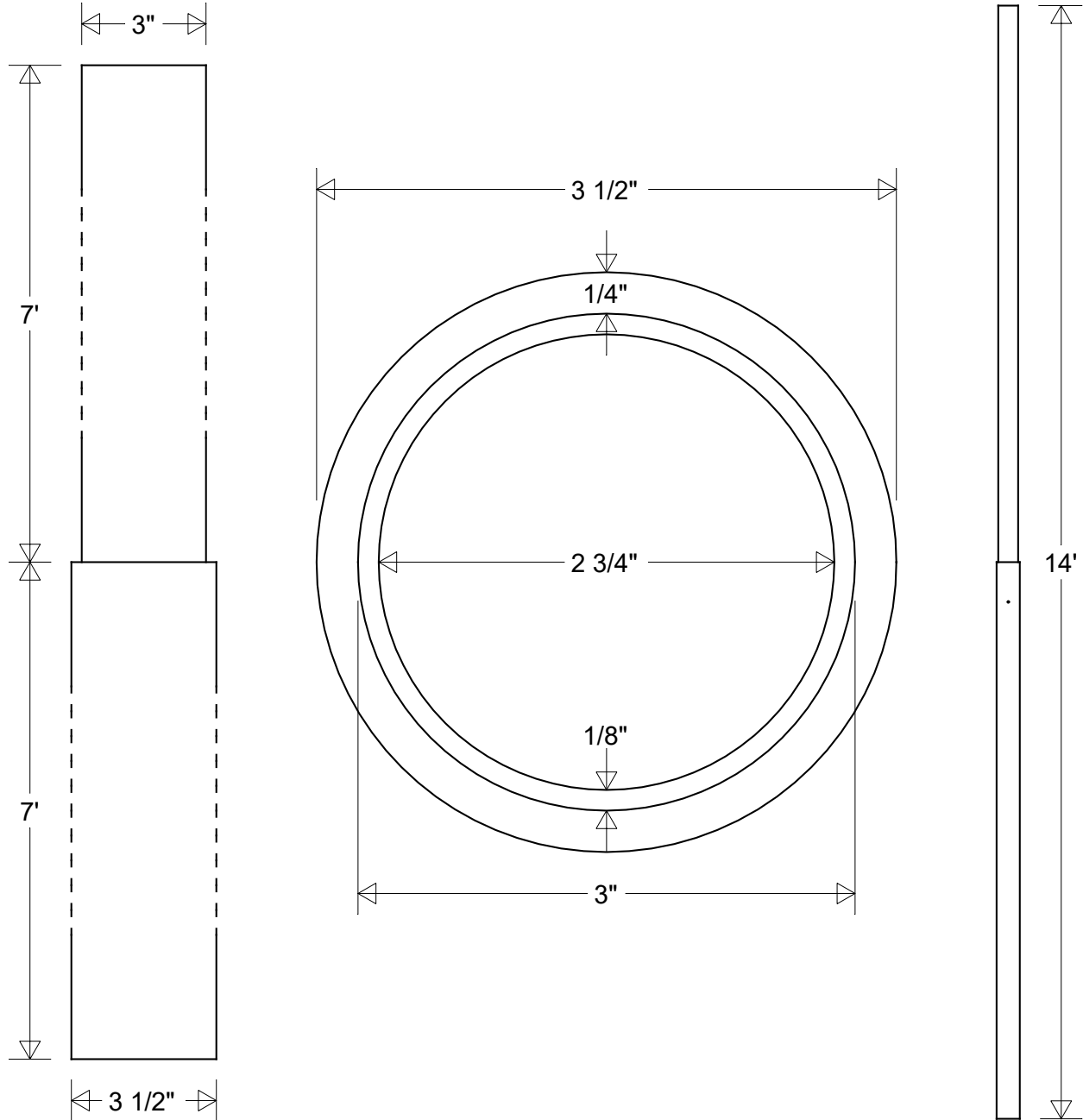


# Primelite Manufacturing Corp

407 S Main St, Freeport, NY 11520

Phone: 516-868-4411 | Fax: 516-868-4609  
 sales@primelite-mfg.com | www.primelite-mfg.com

|                 |             |                |                              |
|-----------------|-------------|----------------|------------------------------|
| PART #<br>#6334 | LAMP<br>N/A | VOLTAGE<br>N/A | COLOR<br>Powder Coated Paint |
| JOB NAME        |             |                | TYPE<br>Telescopic Post      |



| Lamp: N/A   | Initials  | Date    | <b>#6334</b>  |             |          | <table border="1"> <thead> <tr> <th colspan="5">Revisions</th> </tr> <tr> <th>Zone</th> <th>Rev</th> <th>Description</th> <th>Date</th> <th>Appr</th> </tr> </thead> <tbody> <tr><td> </td><td> </td><td> </td><td> </td><td> </td></tr> <tr><td> </td><td> </td><td> </td><td> </td><td> </td></tr> <tr><td> </td><td> </td><td> </td><td> </td><td> </td></tr> <tr><td> </td><td> </td><td> </td><td> </td><td> </td></tr> </tbody> </table> |  |  |  |               | Revisions |  |  |  |  | Zone | Rev | Description | Date | Appr |  |  |  |  |  |  |  |  |  |  |  |  |  |  |  |  |  |  |  |  |
|---|-----------|---------|---|-------------|----------|--|--|--|--|---------------|-----------|--|--|--|--|------|-----|-------------|------|------|--|--|--|--|--|--|--|--|--|--|--|--|--|--|--|--|--|--|--|--|
|   | Revisions |         |   |             |          |  |  |  |  |               |           |  |  |  |  |      |     |             |      |      |  |  |  |  |  |  |  |  |  |  |  |  |  |  |  |  |  |  |  |  |
|   | Zone      | Rev     | Description   | Date        | Appr     |  |  |  |  |               |           |  |  |  |  |      |     |             |      |      |  |  |  |  |  |  |  |  |  |  |  |  |  |  |  |  |  |  |  |  |
|   |           |         |   |             |          |  |  |  |  |               |           |  |  |  |  |      |     |             |      |      |  |  |  |  |  |  |  |  |  |  |  |  |  |  |  |  |  |  |  |  |
|   |           |         |   |             |          |  |  |  |  |               |           |  |  |  |  |      |     |             |      |      |  |  |  |  |  |  |  |  |  |  |  |  |  |  |  |  |  |  |  |  |
|   |           |         |   |             |          |  |  |  |  |               |           |  |  |  |  |      |     |             |      |      |  |  |  |  |  |  |  |  |  |  |  |  |  |  |  |  |  |  |  |  |
|   |           |         |   |             |          |  |  |  |  |               |           |  |  |  |  |      |     |             |      |      |  |  |  |  |  |  |  |  |  |  |  |  |  |  |  |  |  |  |  |  |
| Drawn   | CB        | 06/2023 | 3 1/2" Dia Base   3" Dia Pole   14' H<br>Heavy Gauge (.125 or 1/8") Top |             |          |  |  |  |  |               |           |  |  |  |  |      |     |             |      |      |  |  |  |  |  |  |  |  |  |  |  |  |  |  |  |  |  |  |  |  |
| Checked   |           |         |   |             |          |  |  |  |  |               |           |  |  |  |  |      |     |             |      |      |  |  |  |  |  |  |  |  |  |  |  |  |  |  |  |  |  |  |  |  |
| Construction:<br>Aluminum                           | ENG Appr. |         | Size  | Drawing No. | Rev      |  |  |  |  |               |           |  |  |  |  |      |     |             |      |      |  |  |  |  |  |  |  |  |  |  |  |  |  |  |  |  |  |  |  |  |
|   | MFR Appr. |         | <b>A</b>  | <b>0001</b> | <b>A</b> |  |  |  |  |               |           |  |  |  |  |      |     |             |      |      |  |  |  |  |  |  |  |  |  |  |  |  |  |  |  |  |  |  |  |  |
| Unless Otherwise Specified:<br>Dimensions in Inches | QA        |         | Scale   | CAD File    | Sheet    |  |  |  |  | <b>1 of 1</b> |           |  |  |  |  |      |     |             |      |      |  |  |  |  |  |  |  |  |  |  |  |  |  |  |  |  |  |  |  |  |
| Weight:   |           |         |   |             |          |  |  |  |  |               |           |  |  |  |  |      |     |             |      |      |  |  |  |  |  |  |  |  |  |  |  |  |  |  |  |  |  |  |  |  |