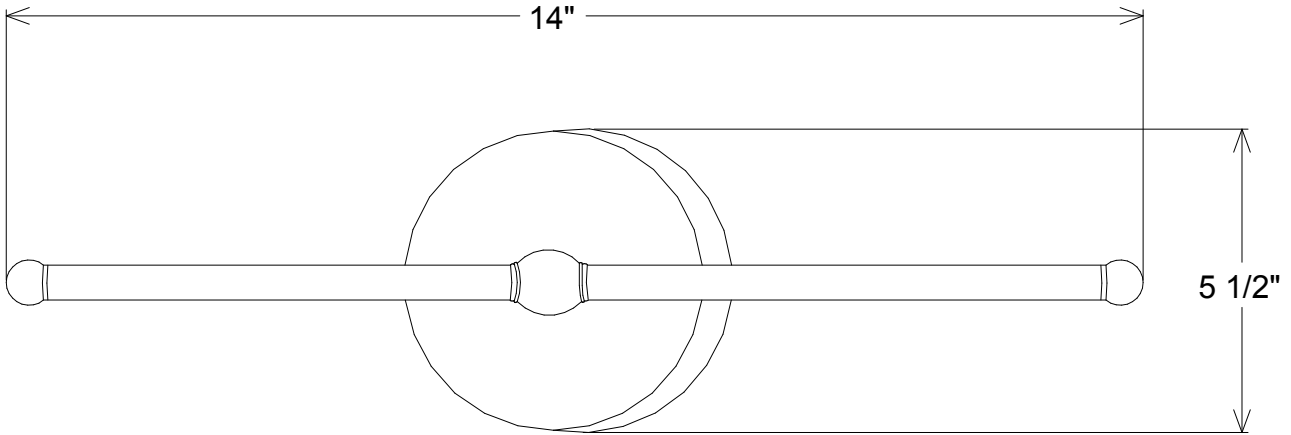
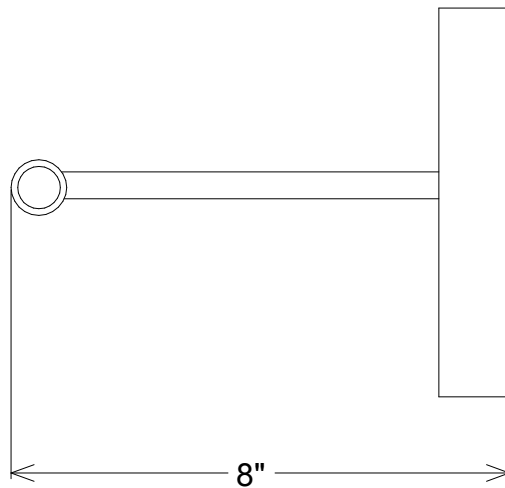


Revisions				
Zone	Rev	Description	Date	Approved



side view



<b>Unless Otherwise Specified:</b> Dimensions in Inches Tolerances: Fractional ± Angular: Mach ± Bend ± Two Place Decimal ± Three Place Decimal ±	Name		Date	<b>Primelite Mfg. Corp.</b>		
	Drawn	T.A.R.	06/09/10			
	Checked			<b>617</b>		
	ENG Appr.					
	MFR Appr.					
QA			Size	Drawing No.	Rev	
Comments	CAD Generated Drawing Do Not Manually Update		<b>A</b>	<b>0001</b>	<b>A</b>	
<b>Pipe Size: 1/8"</b>			Scale	CAD File	Sheet <b>1 of 1</b>	