

#6100 Series:

Gauge: .050

#6100 (2') ▲

#6107 (7') ▲

#6108 (8') ▲

#6110 (10') ▲

#6112 (12') ▲

#6100 Series:

Gauge: .125

#6127 (7') ▲

#6128 (8') ▲

#6130 (10') ▲

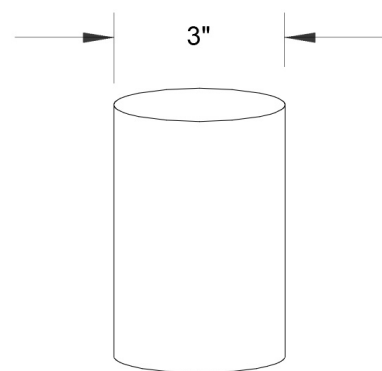
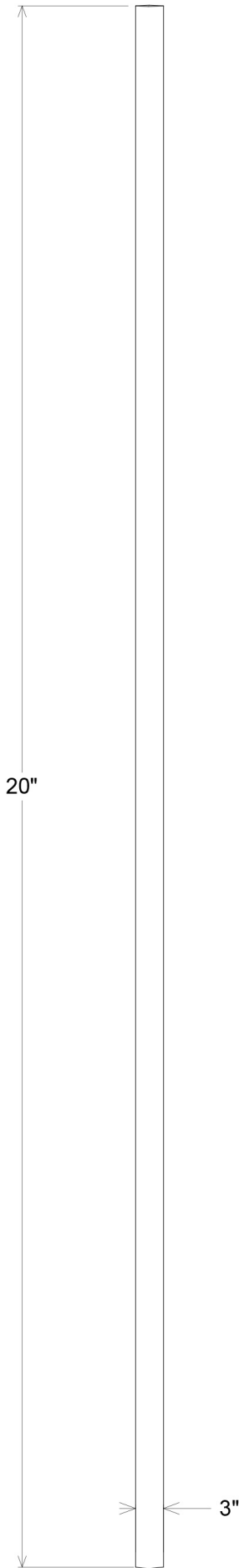
#6132 (12') ▲

#6134 (14') ▲

#6136 (16') ▲

#6138 (18') ▲

#6140 (20') ▲



	Name	Date	Primelite Mfg. Corp.		
Drawn	lv	01/31/17			
Checked			6140		
ENG Appr.					
MFR Appr.			20' Aluminum Post .125 Gauge		
QA					
Comments			Size	Drawing No.	Rev
CAD Generated Drawing Do Not Manually Update			A	0001	A
Construction: All Aluminum			Scale	CAD File	Sheet 1 of 1

▲ Symbol indicates link to individual technical drawings