

**#6100 Series:**

Gauge: .050

#6100 ( 2') ▲

#6107 ( 7') ▲

#6108 ( 8') ▲

#6110 (10') ▲

#6112 (12') ▲

**#6100 Series:**

Gauge: .125

#6127 ( 7') ▲

#6128 ( 8') ▲

#6130 (10') ▲

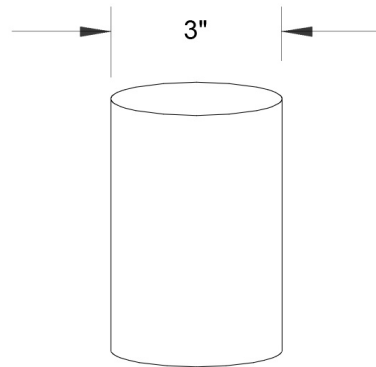
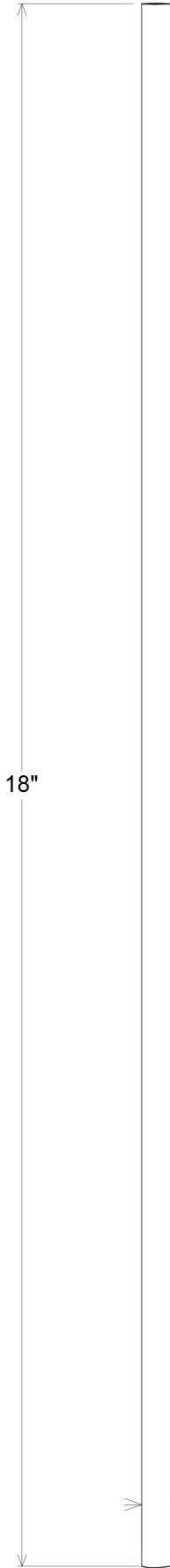
#6132 (12') ▲

#6134 (14') ▲

#6136 (16') ▲

#6138 (18') ▲

#6140 (20') ▲



	<b>Name</b>	<b>Date</b>	<b>Primelite Mfg. Corp.</b>  <b>6138</b>  <b>18' Aluminum Post .125 Gauge</b>		
<b>Drawn</b>	lv	01/31/17			
<b>Checked</b>					
<b>ENG Appr.</b>					
<b>MFR Appr.</b>					
<b>QA</b>					
<b>Comments</b>			<b>Size</b>	<b>Drawing No.</b>	<b>Rev</b>
CAD Generated Drawing Do Not Manually Update			<b>A</b>	<b>0001</b>	<b>A</b>
<b>Construction: All Aluminum</b>			<b>Scale</b>	<b>CAD File</b>	<b>Sheet 1 of 1</b>