

**#6100 Series:**

Gauge: .050

#6100 ( 2') ▲

#6107 ( 7') ▲

#6108 ( 8') ▲

#6110 (10') ▲

#6112 (12') ▲

**#6100 Series:**

Gauge: .125

#6127 ( 7') ▲

#6128 ( 8') ▲

#6130 (10') ▲

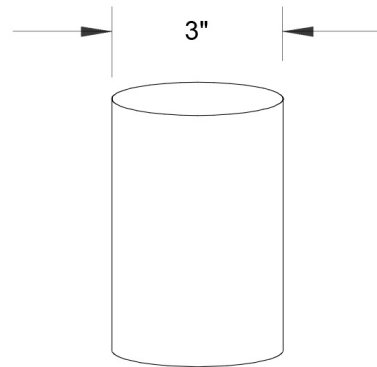
#6132 (12') ▲

#6134 (14') ▲

#6136 (16') ▲

#6138 (18') ▲

#6140 (20') ▲



Gauge: .125

	Name	Date	<b>Primelite Mfg. Corp.</b>  <b>#6136</b>  <b>16' Aluminum Post .125 Gauge</b>		
Drawn	lv	01/31/17			
Checked					
ENG Appr.					
MFR Appr.					
QA					
<b>Comments</b> CAD Generated Drawing Do Not Manually Update  Construction: All Aluminum			Size	Drawing No.	Rev
			<b>A</b>	<b>0001</b>	<b>A</b>
			Scale	CAD File	Sheet <b>1 of 1</b>