

Gauge .125

#6100 SB Series:

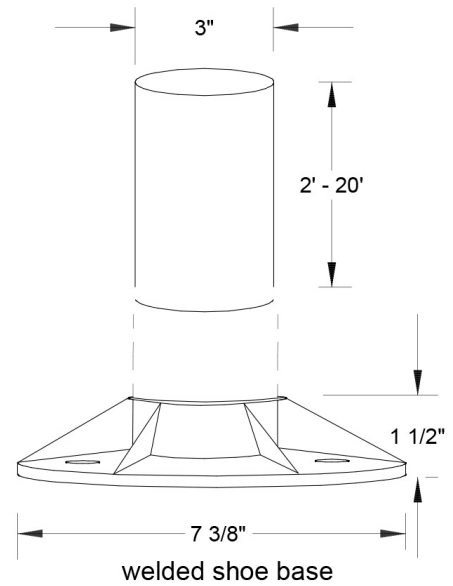
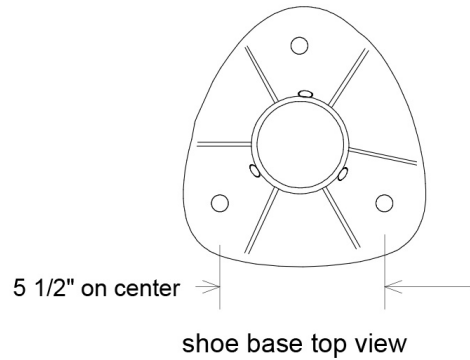
Gauge: .050

- #6100 SB (2') ▲
- #6107 SB (7') ▲
- #6108 SB (8') ▲
- #6110 SB (10') ▲
- #6112 SB (12') ▲

#6100 SB Series:

Gauge: .125

- #6127 SB (7') ▲
- #6128 SB (8') ▲
- #6130 SB (10') ▲
- #6132 SB (12') ▲
- #6134 SB (14') ▲
- #6136 SB (16') ▲
- #6138 SB (18') ▲
- #6140 SB (20') ▲



Assembly includes: Template, Anchor Bolts, Washers and Nuts.

	Name	Date	Primelite Mfg. Corp.		
Drawn	lv	01/31/17	#6130 SB Gauge .125		
Checked			3\" Round Post Shoe Base Height: 10'		
ENG Appr.			Extruded Aluminum Smooth Surface		
MFR Appr.			Size	Drawing No.	Rev
QA			A	0001	A
Comments CAD Generated Drawing Do Not Manually Update Construction: Aluminum			Scale	CAD File	Sheet
					1 of 1