

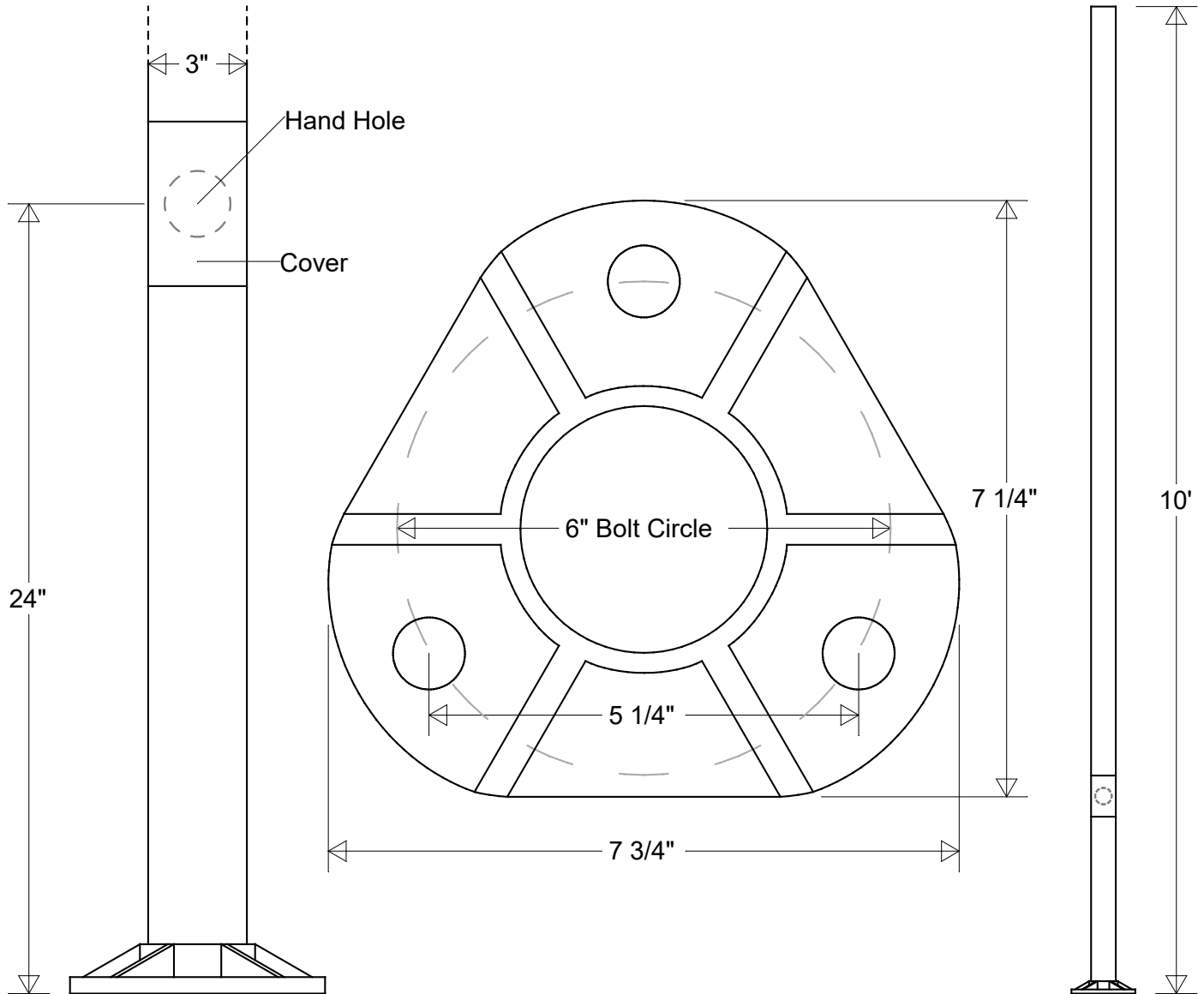


Primelite Manufacturing Corp

407 S Main St, Freeport, NY 11520

Phone: 516-868-4411 | Fax: 516-868-4609
 sales@primelite-mfg.com | www.primelite-mfg.com

PART # #6130 SB HH	LAMP N/A	VOLTAGE N/A	COLOR Powder Coated Paint
JOB NAME			TYPE Post



Lamp: N/A	Initials	Date	Post #6130 SB HH			<table border="1"> <thead> <tr> <th colspan="5">Revisions</th> </tr> <tr> <th>Zone</th> <th>Rev</th> <th>Description</th> <th>Date</th> <th>Appr</th> </tr> </thead> <tbody> <tr><td> </td><td> </td><td> </td><td> </td><td> </td></tr> <tr><td> </td><td> </td><td> </td><td> </td><td> </td></tr> <tr><td> </td><td> </td><td> </td><td> </td><td> </td></tr> <tr><td> </td><td> </td><td> </td><td> </td><td> </td></tr> </tbody> </table>					Revisions					Zone	Rev	Description	Date	Appr																				
	Revisions																																							
	Zone	Rev	Description	Date	Appr																																			
Drawn	CB	06/2022	3" Dia 10' H .125 Gauge Aluminum 6" Bolt Circle Shoe Base Hand Hole																																					
Checked																																								
ENG Appr.																																								
Construction: Aluminum	MFR Appr.		Size	Drawing No.	Rev																																			
	QA		A	0001	A																																			
Unless Otherwise Specified: Dimensions in Inches	Weight:		Scale	CAD File	Sheet																																			
					1 of 1																																			