

**#6100 SB Series:**

Gauge: .050

#6100 SB ( 2') ▲

#6107 SB ( 7') ▲

#6108 SB ( 8') ▲

#6110 SB (10') ▲

#6112 SB (12') ▲

**#6100 SB Series:**

Gauge: .125

#6127 SB ( 7') ▲

#6128 SB ( 8') ▲

#6130 SB (10') ▲

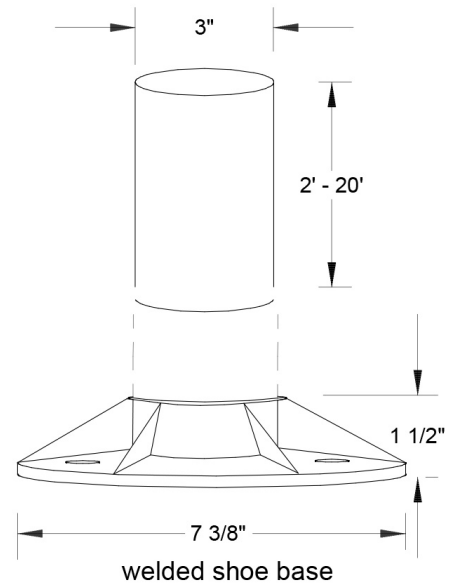
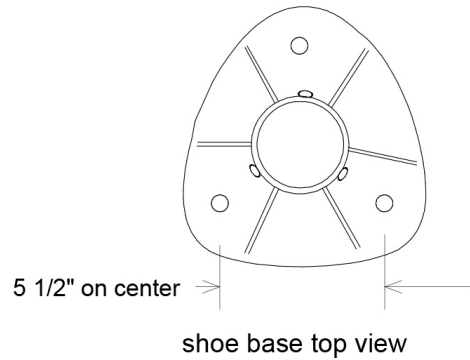
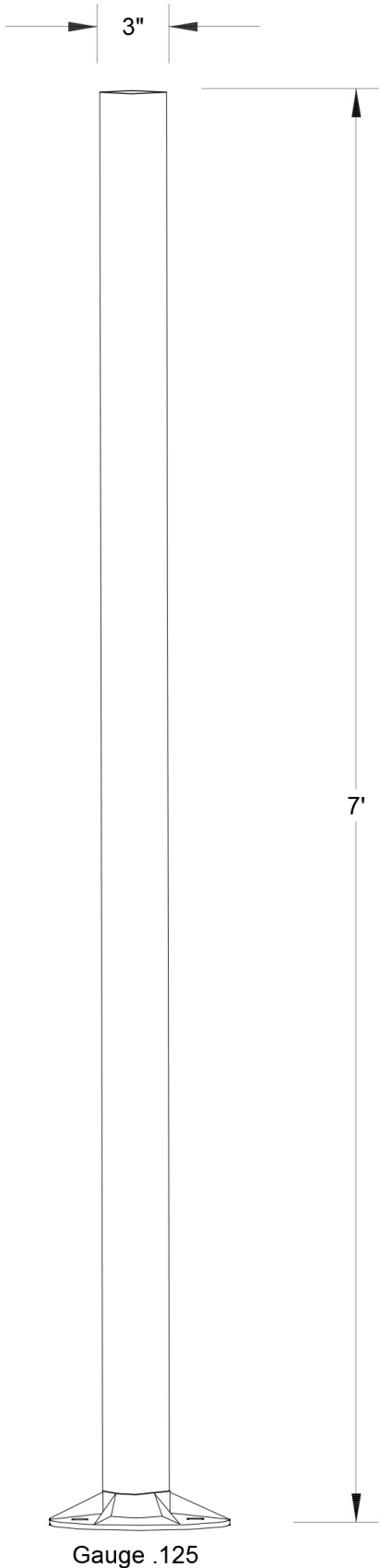
#6132 SB (12') ▲

#6134 SB (14') ▲

#6136 SB (16') ▲

#6138 SB (18') ▲

#6140 SB (20') ▲



Assembly includes: Template, Anchor Bolts, Washers and Nuts.

		Name	Date	<b>Primelite Mfg. Corp.</b>		
Drawn		iv	01/31/17	<b>#6127 SB   Gauge .125</b>		
Checked				<b>3" Round Post   Shoe Base   Height: 7'</b>		
ENG Appr.				<b>Extruded Aluminum   Smooth Surface</b>		
MFR Appr.				Size	Drawing No.	Rev
QA				<b>A</b>	<b>0001</b>	<b>A</b>
Comments				Scale	CAD File	Sheet
CAD Generated Drawing Do Not Manually Update						<b>1 of 1</b>
Construction: Aluminum						