

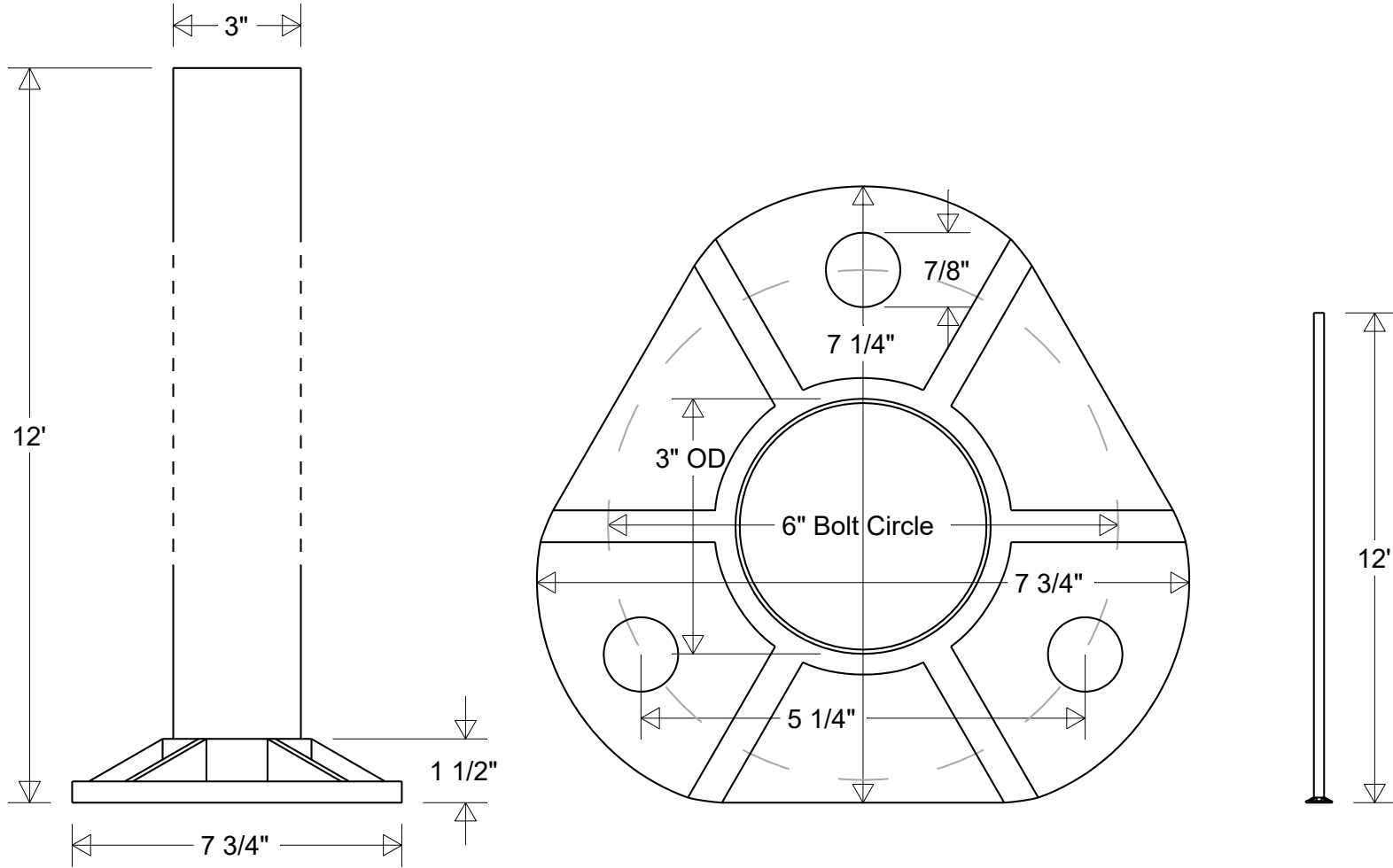


Primelite Manufacturing Corp

407 S Main St, Freeport, NY 11520

Phone: 516-868-4411 | Fax: 516-868-4609
 sales@primelite-mfg.com | www.primelite-mfg.com

PART # #6112 SB	LAMP N/A	VOLTAGE N/A	COLOR Powder Coated Paint
JOB NAME			TYPE Shoe Base Pole



Lamp: N/A	Initials	Date	#6112 SB			
	Drawn	CB				04/2024
	Checked			3" Dia 12' H .05 Gauge Aluminum 6" Bolt Circle 7/8" Bolts x3		
	ENG Appr.					
Construction: Aluminum	MFR Appr.		Size	Drawing No.	Rev	
	QA		A	0001	A	
	Weight:		Scale	CAD File	Sheet	

Revisions				
Zone	Rev	Description	Date	Appr