

#6100 SB Series:

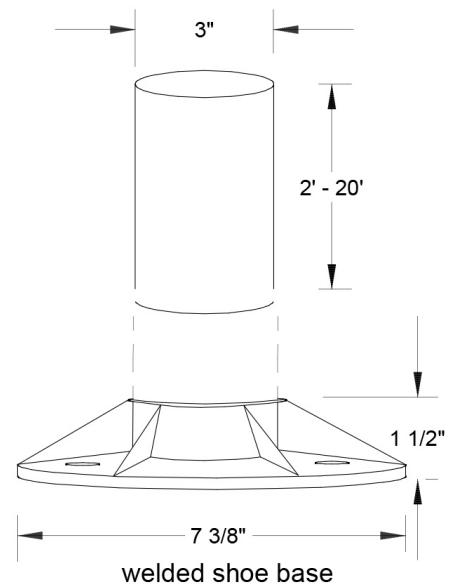
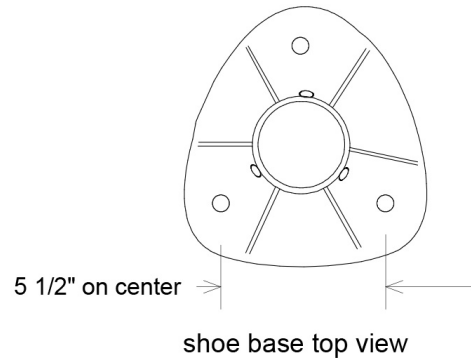
Gauge: .050

- #6100 SB (2') ▲
- #6107 SB (7') ▲
- #6108 SB (8') ▲
- #6110 SB (10') ▲
- #6112 SB (12') ▲

#6100 SB Series:

Gauge: .125

- #6127 SB (7') ▲
- #6128 SB (8') ▲
- #6130 SB (10') ▲
- #6132 SB (12') ▲
- #6134 SB (14') ▲
- #6136 SB (16') ▲
- #6138 SB (18') ▲
- #6140 SB (20') ▲



Assembly includes: Template, Anchor Bolts, Washers and Nuts.

		Name	Date	Primelite Mfg. Corp.		
Drawn		iv	01/31/17			
Checked						
ENG Appr.						
MFR Appr.						
QA						
Comments				Size	Drawing No.	Rev
CAD Generated Drawing Do Not Manually Update				A	0001	A
Construction: Aluminum				Scale	CAD File	Sheet 1 of 1