

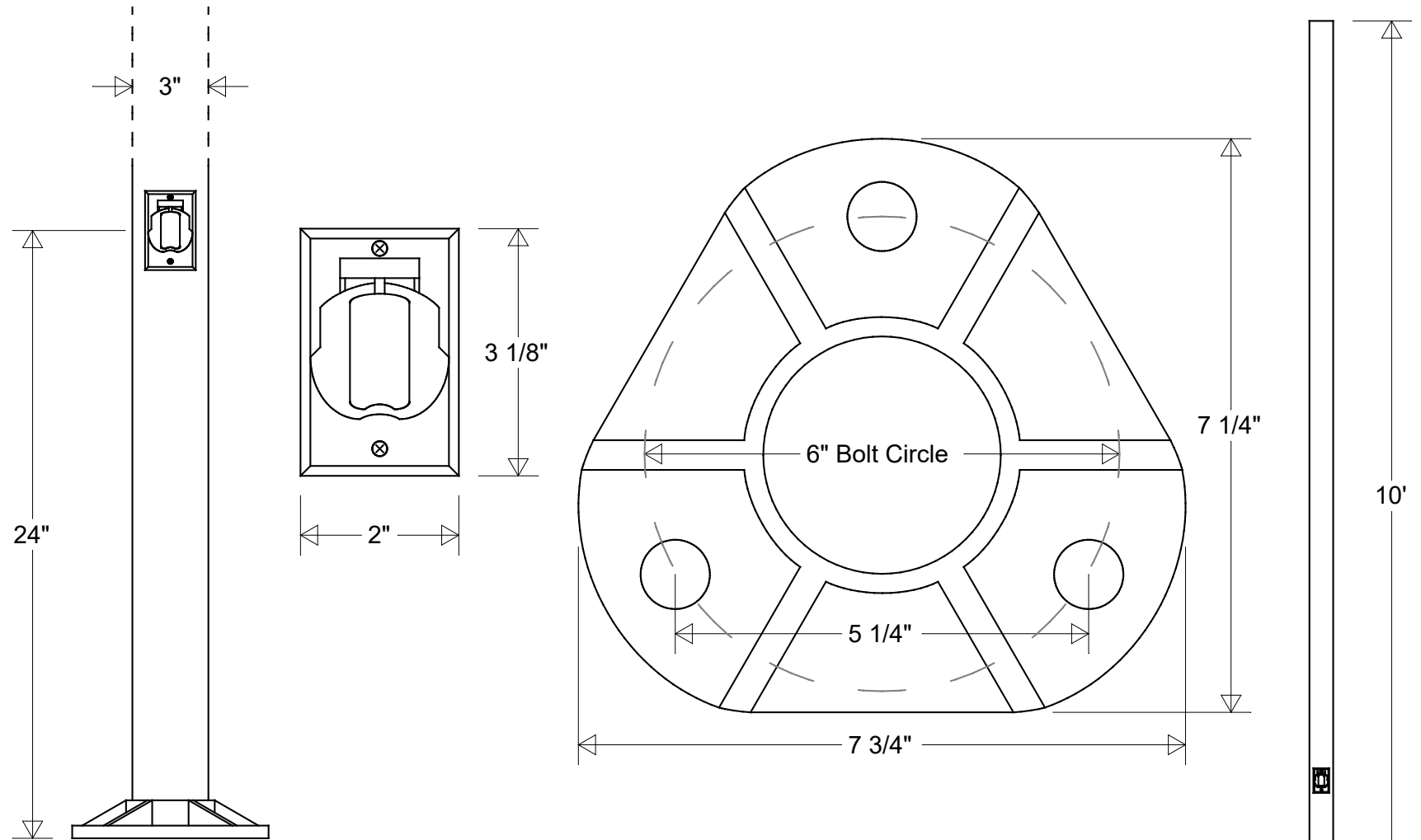


# Primelite Manufacturing Corp

407 S Main St, Freeport, NY 11520

Phone: 516-868-4411 | Fax: 516-868-4609  
 sales@primelite-mfg.com | www.primelite-mfg.com

PART # #6110 SB PCO	LAMP N/A	VOLTAGE N/A	COLOR Powder Coated Paint
JOB NAME			TYPE Post



Lamp: N/A	Initials	Date	<b>Post #6110 SB PCO</b>			
	Drawn	CB			06/2022	
	Checked			3" Dia   10' H   6" Bolt Circle		
	ENG Appr.					
MFR Appr.			Size		Drawing No.	Rev
Construction: Aluminum	QA		<b>A</b>	<b>0001</b>	<b>A</b>	
Unless Otherwise Specified: Dimensions in Inches	Weight:		Scale	CAD File	Sheet	<b>1 of 1</b>

Revisions				
Zone	Rev	Description	Date	Appr