

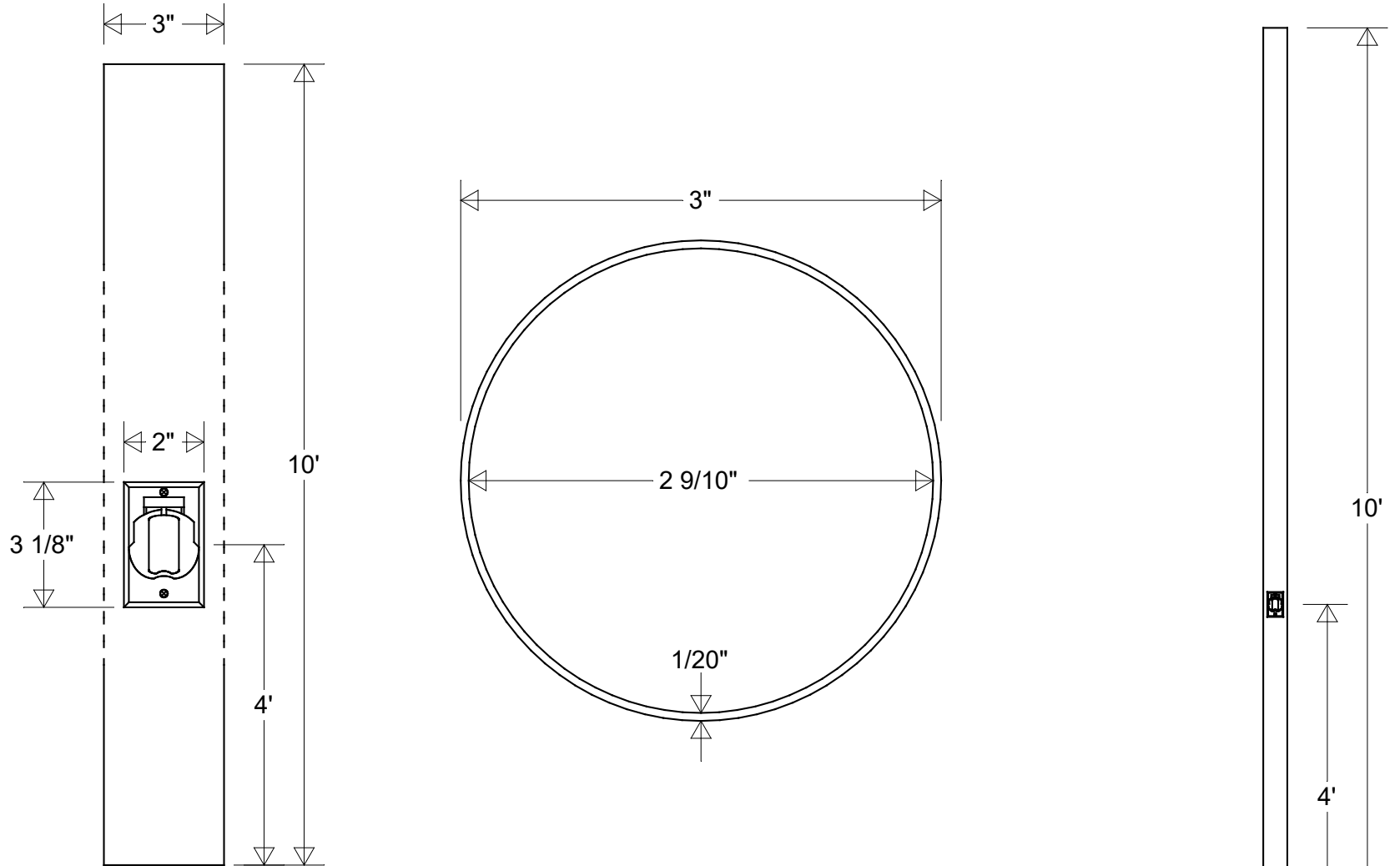


Primelite Manufacturing Corp

407 S Main St, Freeport, NY 11520

Phone: 516-868-4411 | Fax: 516-868-4609
 sales@primelite-mfg.com | www.primelite-mfg.com

PART # #6110 PCO	LAMP N/A	VOLTAGE N/A	COLOR Powder Coated Paint
JOB NAME			TYPE Direct Burial Pole



Lamp: N/A	Initials	Date	Post #6110 PCO						
	Drawn	CB						12/2022	
	Checked			3" Dia 10' H .05 Gauge Aluminum Outlet Recommended Burial Depth: 2'					
	ENG Appr.								
Construction: Aluminum	MFR Appr.		Size	Drawing No.	Rev	Revisions			
	QA		A	0001	A	Zone	Rev	Description	Date
Unless Otherwise Specified: Dimensions in Inches	Weight:		Scale	CAD File	Sheet	1 of 1			