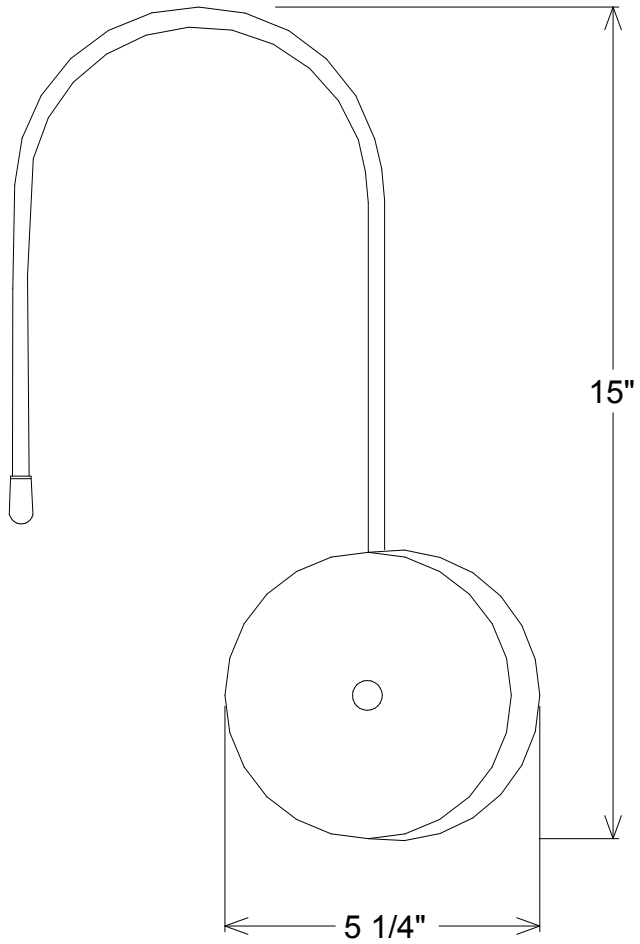


side view



Unless Otherwise Specified: Dimensions in Inches Tolerances: Fractional ± Angular: Mach ± Bend ± Two Place Decimal ± Three Place Decimal ±		Name	Date	Primelite Mfg. Corp.		
	Drawn	T.A.R.	10/11/10			
	Checked			611		
	ENG Appr.					
	MFR Appr.					
QA				Size	Drawing No.	Rev
Pipe Size: 1/8"	Comments CAD Generated Drawing Do Not Manually Update			A	0001	A
				Scale	CAD File	Sheet 1 of 1