

#6100 SB Series:

Gauge: .050

#6100 SB (2') ▲

#6107 SB (7') ▲

#6108 SB (8') ▲

#6110 SB (10') ▲

#6112 SB (12') ▲

#6100 SB Series:

Gauge: .125

#6127 SB (7') ▲

#6128 SB (8') ▲

#6130 SB (10') ▲

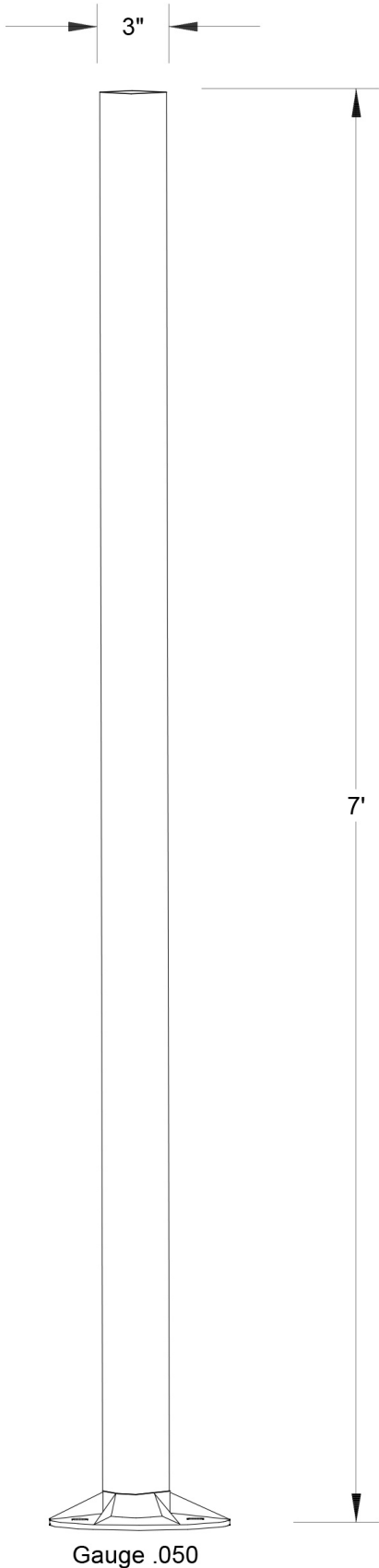
#6132 SB (12') ▲

#6134 SB (14') ▲

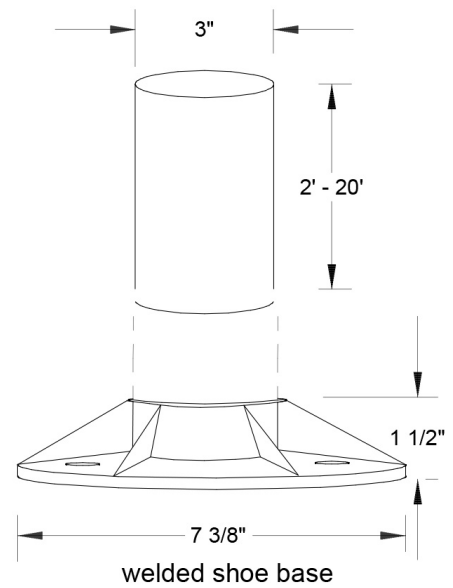
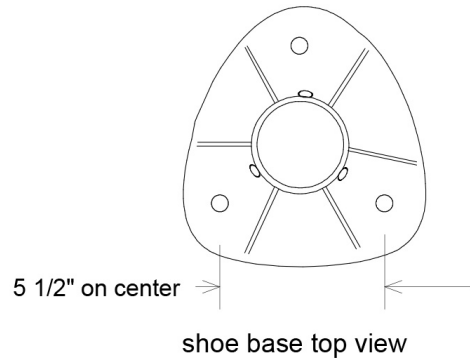
#6136 SB (16') ▲

#6138 SB (18') ▲

#6140 SB (20') ▲



Gauge .050



Assembly includes: Template, Anchor Bolts, Washers and Nuts.

		Name	Date	Primelite Mfg. Corp.		
Drawn		lv	01/31/17			
Checked						
ENG Appr.						
MFR Appr.						
QA						
Comments				Size	Drawing No.	Rev
CAD Generated Drawing Do Not Manually Update				A	0001	A
Construction: Aluminum				Scale	CAD File	Sheet
						1 of 1