

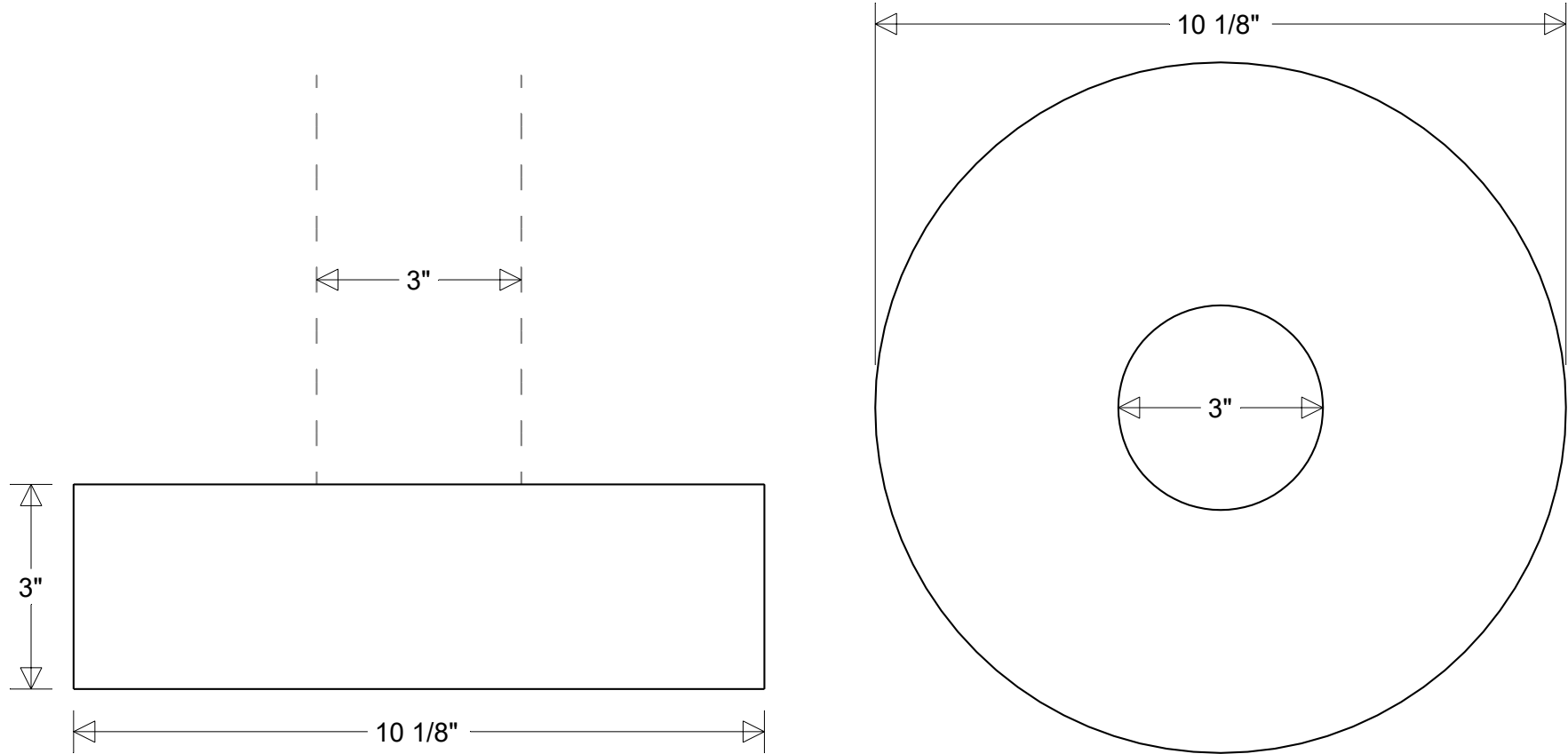


Primelite Manufacturing Corp.

407 S Main St, Freeport, NY 11520
Phone: (516) 868-4411 | Fax: (516) 868-4609
sales@primelite-mfg.com | www.primelite-mfg.com

PROUDLY MADE IN THE USA SINCE 1962!
"SPECIALTIES ARE OUR SPECIALTY!"

Job Info



#6102

10 1/8" Dia | 3" H | Fits 3" OD Round Poles
Shoe Base Cover | Also available with Split

Lamp: NA	Finish: 29 Oven Baked Powder Coated Paints	Drawn: CB 06/2024	Scale: 1:2.5	Approvals	
Voltage: NA	Material: Aluminum	Note: All dimensions are nominal. Actual dimensions may vary.			