

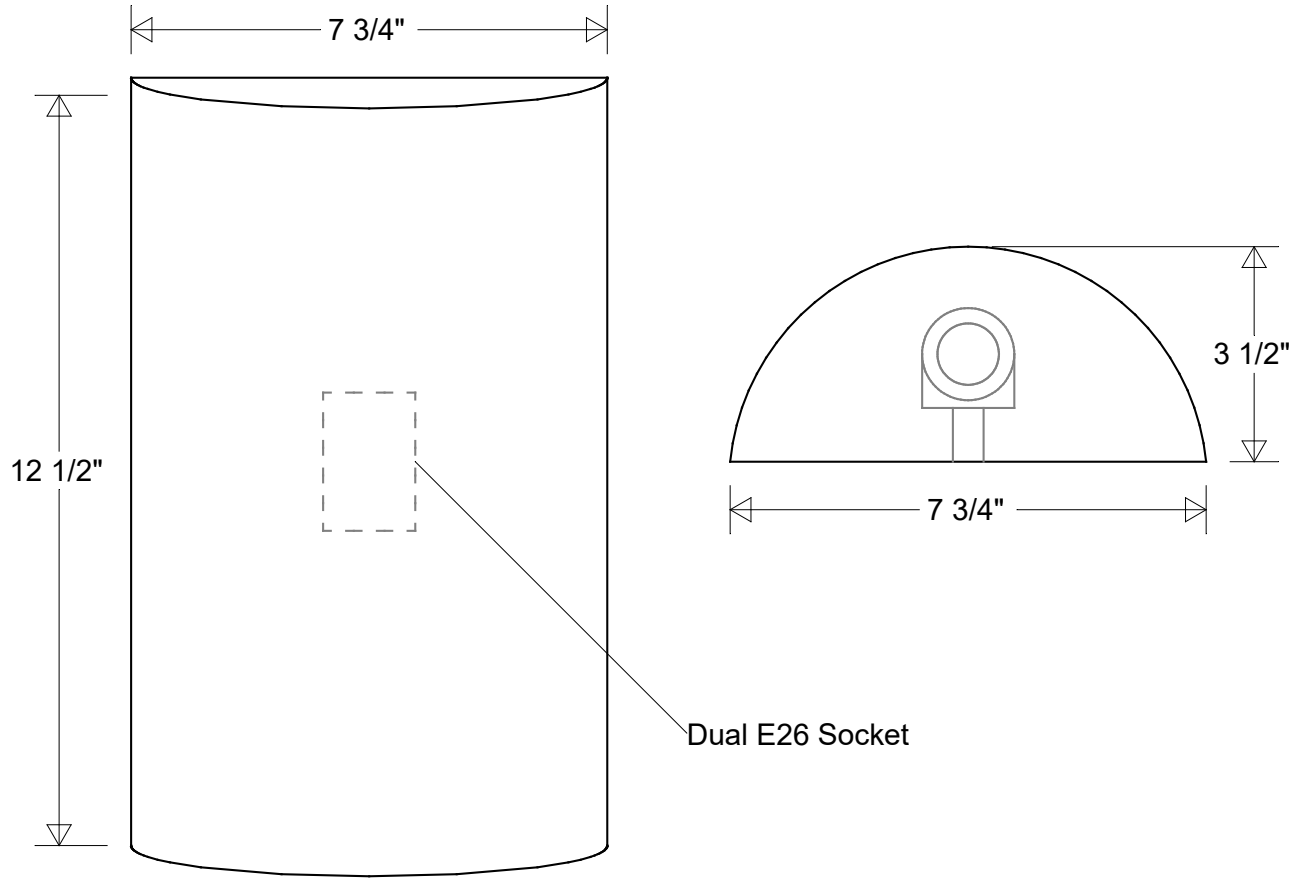



# Primelite Manufacturing Corp

407 S Main St, Freeport, NY 11520

Phone: 516-868-4411 | Fax: 516-868-4609  
 sales@primelite-mfg.com | www.primelite-mfg.com

<b>PART #</b> #606	<b>LAMP</b> Dual E26 Socket	<b>VOLTAGE</b> 120 V	<b>COLOR</b> Powder Coated Paint
<b>JOB NAME</b>			<b>TYPE</b> Wall Sconce



<b>Lamp: Dual E26 Socket</b> Max Wattage: 60 W Each 	<b>Initials</b>	<b>Date</b>	<h2>Wall Sconce #606</h2>								
	Drawn	CB						01/2023			
	Checked			7 3/4" W   12 1/2" H   3 1/2" Ext							
<b>Construction:</b> Aluminum	<b>ENG Appr.</b> MFR Appr. QA			<b>Size</b> <b>A</b>	<b>Drawing No.</b> <b>0001</b>	<b>Rev</b> <b>A</b>	<b>Revisions</b>				
<b>Unless Otherwise Specified:</b> Dimensions in Inches	<b>Weight:</b>		<b>Scale</b>	<b>CAD File</b>	<b>Sheet</b>	<b>1 of 1</b>					
						<b>Zone</b>	<b>Rev</b>	<b>Description</b>	<b>Date</b>	<b>Appr</b>	