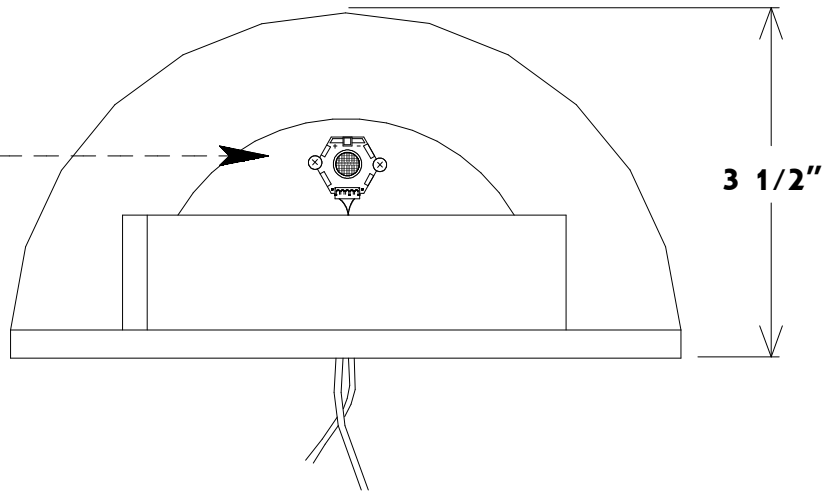
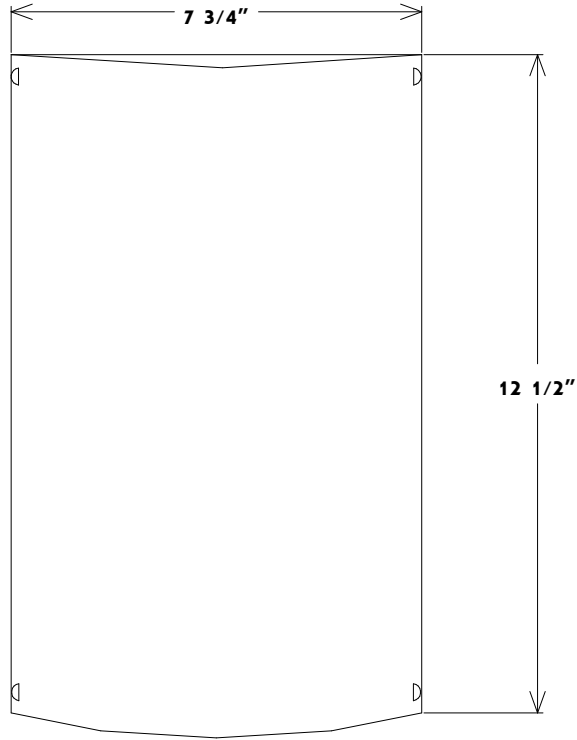


LED 10 X 2



Top View

Unless Otherwise Specified: Dimensions in Inches Tolerances: Fractional ± Angular: Mach ± Bend ± Two Place Decimal ± Three Place Decimal ±		Name	Date	Primelite Mfg. Corp. 606 LED 2/10			
	Drawn	lv	07/21/15				
	Checked				Size A	Drawing No. 0001	Rev A
	ENG Appr.						
	MFR Appr.						
QA				Scale CAD File Sheet 1 of 1			
Comments	CAD Generated Drawing Do Not Manually Update						
Construction: steel, porcelain, brass							
Lamp: 2 x LED 10							