

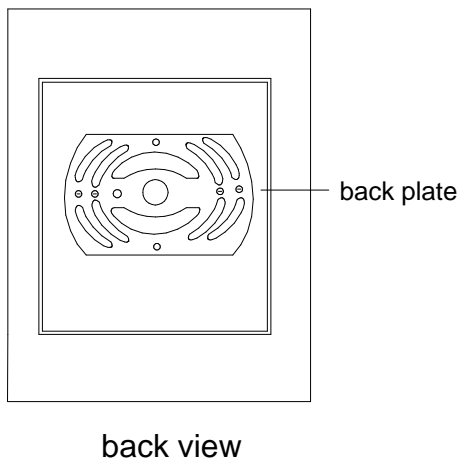
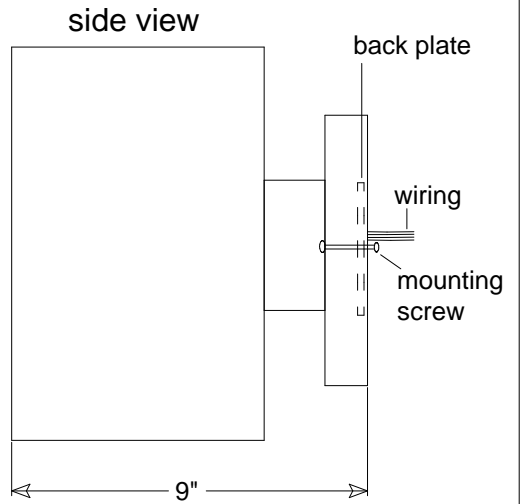
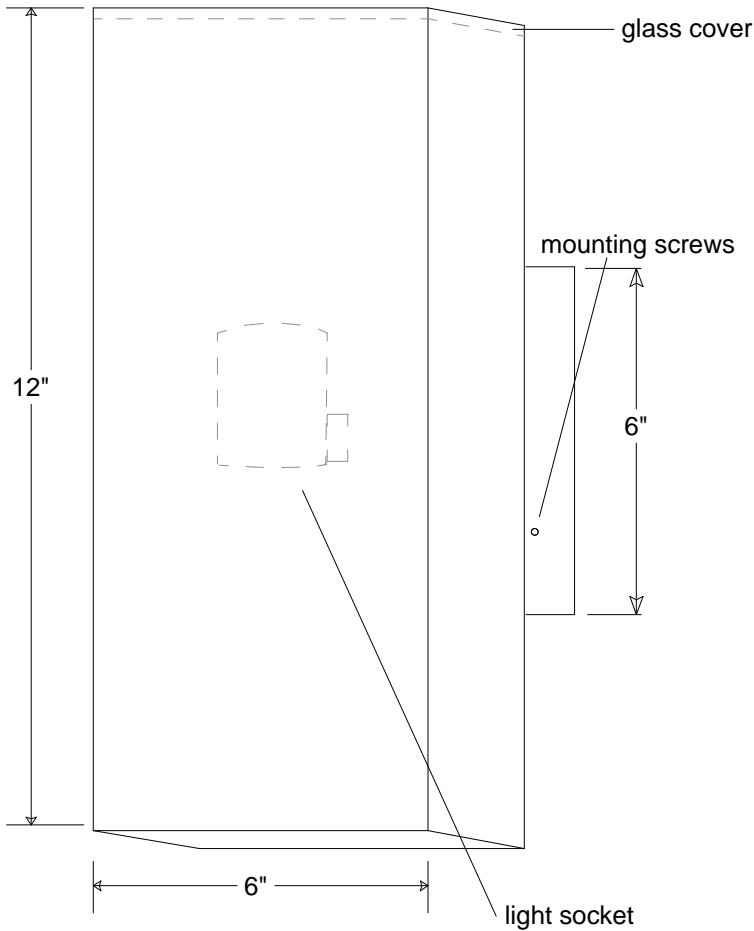


# Primelite Manufacturing Corp

407 S Main St, Freeport, NY 11520

Phone: 516-868-4411 | Fax: 516-868-4609  
 sales@primelite-mfg.com | www.primelite-mfg.com

PART #	LAMP	VOLTAGE	COLOR
JOB NAME			TYPE



**Unless Otherwise Specified:**  
 Dimensions in Inches  
 Tolerances: Fractional ±  
 Angular: Mach ± Bend ±  
 Two Place Decimal ±  
 Three Place Decimal ±

**Construction: Aluminum, Glass**  
**Lamp: Incandescent | LED**

	Name	Date	<b>#6-62E-UP</b> Up Light w/ Glass Cover		
Drawn	lv	12/14/18			
Checked					
ENG Appr.					
MFR Appr.			Size	Drawing No.	Rev
QA			<b>A</b>	<b>0001</b>	<b>A</b>
Comments		Scale	CAD File	Sheet	<b>1 of 1</b>

Revisions				
Zone	Rev	Description	Date	Approved