

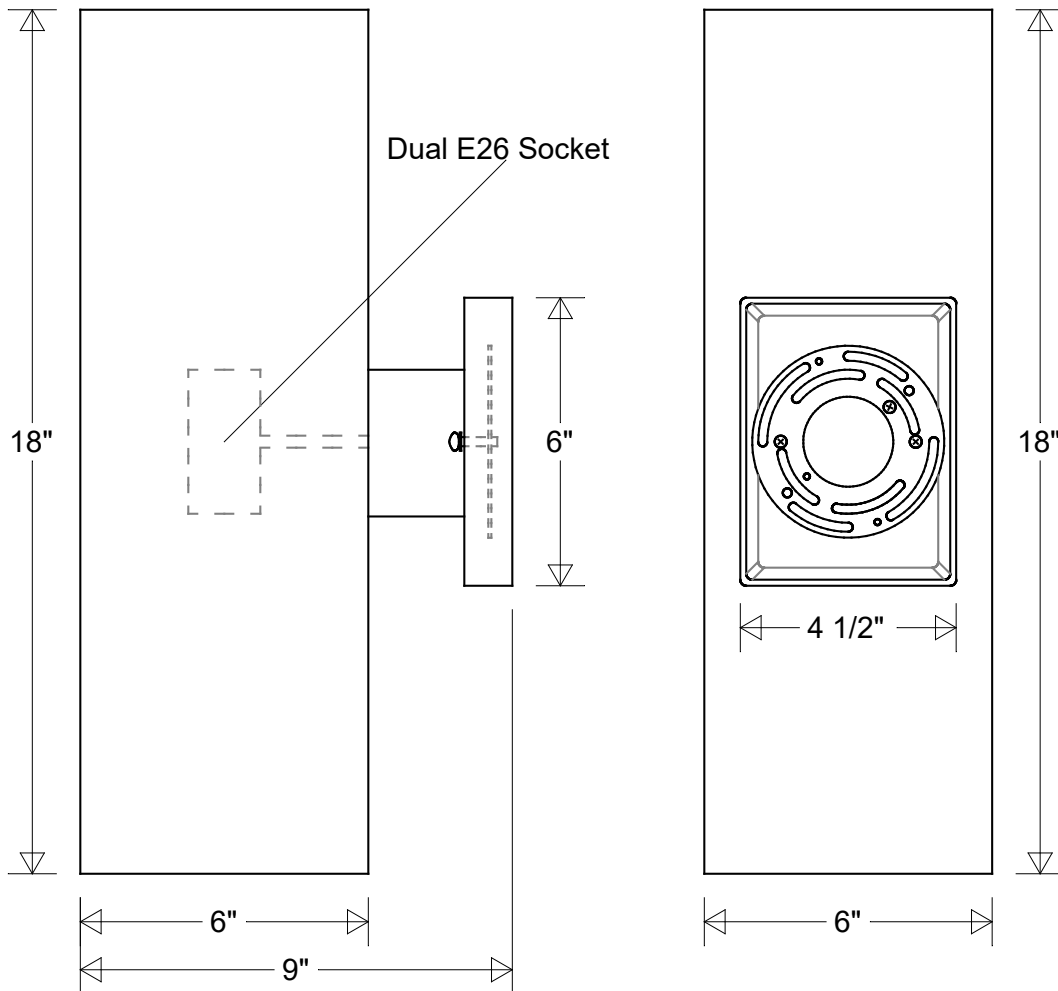



Primelite Manufacturing Corp

407 S Main St, Freeport, NY 11520

Phone: 516-868-4411 | Fax: 516-868-4609
 sales@primelite-mfg.com | www.primelite-mfg.com

PART # #6/622	LAMP E26 Socket	VOLTAGE 120 V	COLOR Powder Coated Paint
JOB NAME			TYPE Wall Sconce



Lamp: E26 Socket x2 Max Wattage/Socket: 150 W 	Name	Date	Wall Sconce #6/622							
	Drawn	CB						10/2021		
	Checked			6" W 18" H 9" Ext						
	ENG Appr.									
MFR Appr.			Size	Drawing No.	Rev	Revisions				
Construction: Aluminum	QA		A	0001	A	Zone	Rev	Description	Date	Approved
Unless Otherwise Specified: Dimensions in Inches	Weight		Scale	CAD File	Sheet					
					1 of 1					