

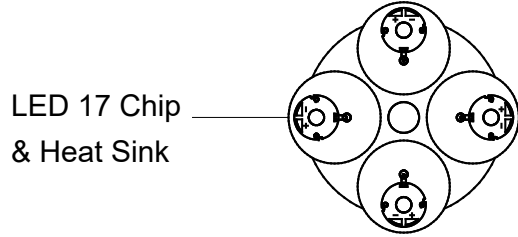
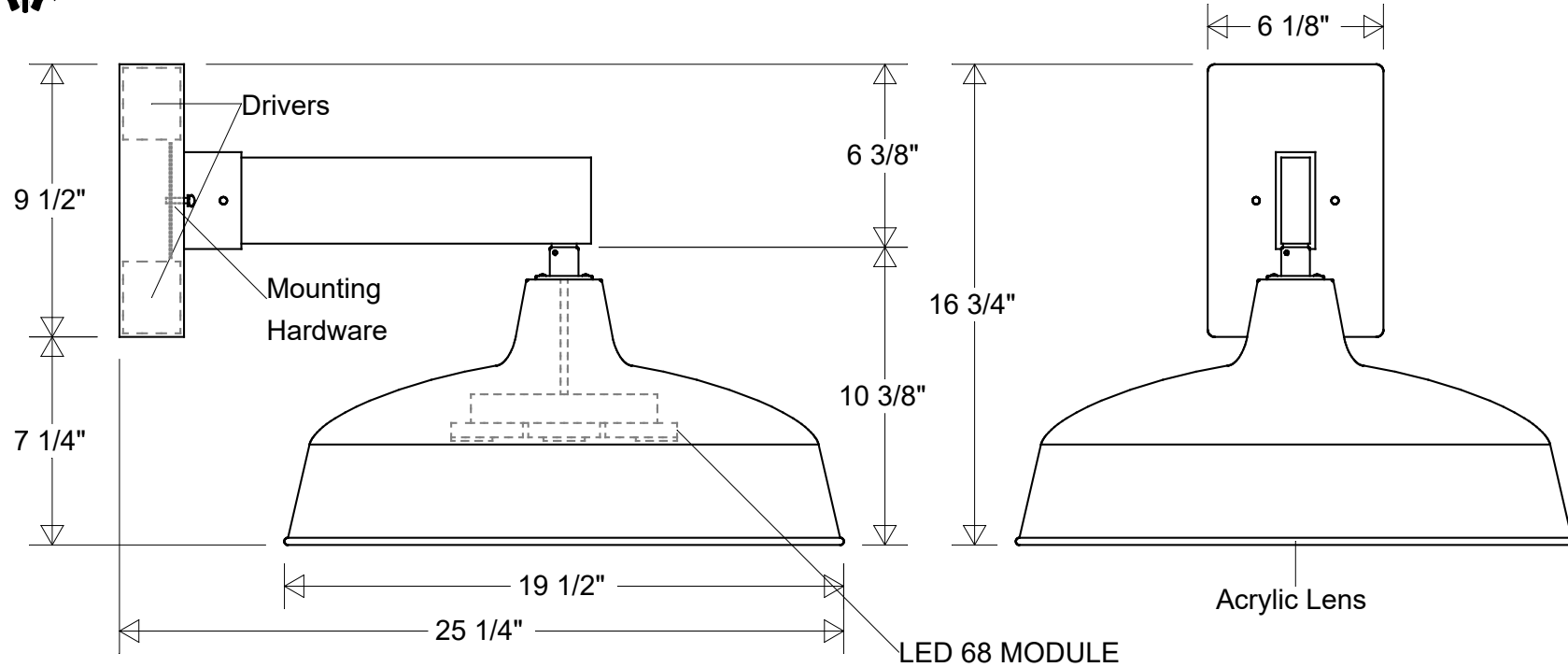


Primelite Manufacturing Corp

407 S Main St, Freeport, NY 11520

Phone: 516-868-4411 | Fax: 516-868-4609
 sales@primelite-mfg.com | www.primelite-mfg.com

PART # #5941 LED 68	LAMP Built-In LED	VOLTAGE 120 V	COLOR Powder Coated Paint
JOB NAME			TYPE Gooseneck



Lamp: LED 68 Module 175 W MH Equivalent 3K = 7712 Lumens 4K = 8552 Lumens	Initials	Date	Gooseneck #5941 LED 68			
	Drawn	CB				10/2022
	Checked			19 1/2" Dia 25 1/4" Ext 16 3/4" H		
	ENG Appr.			Clear Acrylic Lens		
Construction: Aluminum Acrylic	MFR Appr.		Size	Drawing No.	Rev	
	QA		A	0001	A	
Unless Otherwise Specified: Dimensions in Inches	Weight:		Scale	CAD File	Sheet	
					1 of 1	

Revisions				
Zone	Rev	Description	Date	Appr