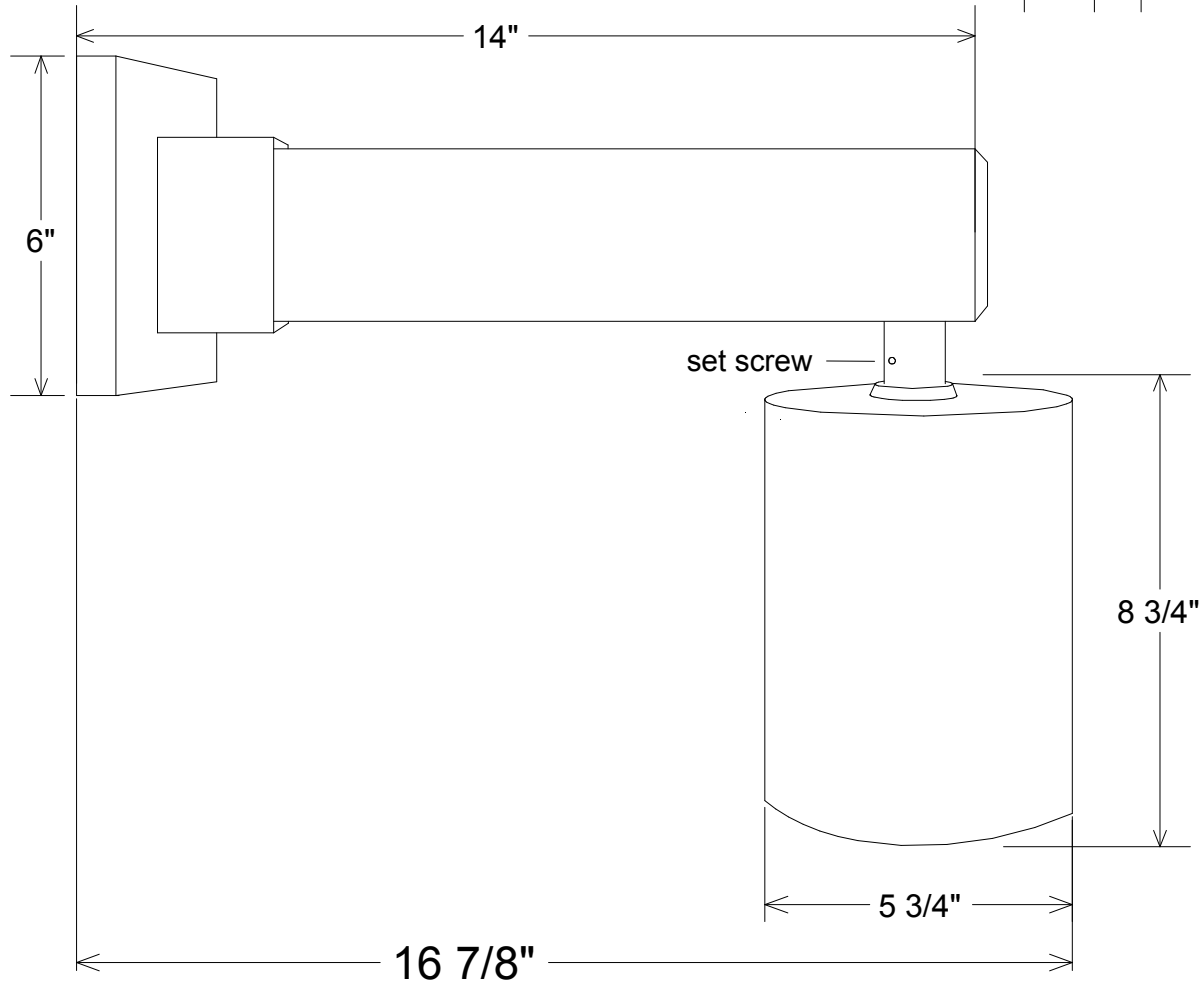


Revisions			Date	Approved
Zone	Rev	Description		



Unless Otherwise Specified: Dimensions in Inches Tolerances: Fractional ± Angular: Mach ± Bend ± Two Place Decimal ± Three Place Decimal ±		Name	Date	Primelite Mfg. Corp. 59/861
	Drawn	T.A.R.	11/20/09	
	Checked			
	ENG Appr.			
	MFR Appr.			
	QA			
	Comments			
Construction: All Aluminum	CAD Generated Drawing Do Not Manually Update			
Pipe Size: 1/2"				Size A
Lamp: 1-150A				Drawing No. 0001
				Rev A
	Scale	1:4	CAD File	Sheet 1 of 1