

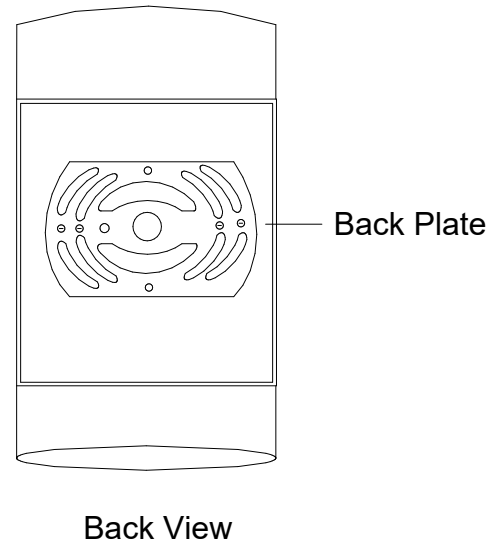
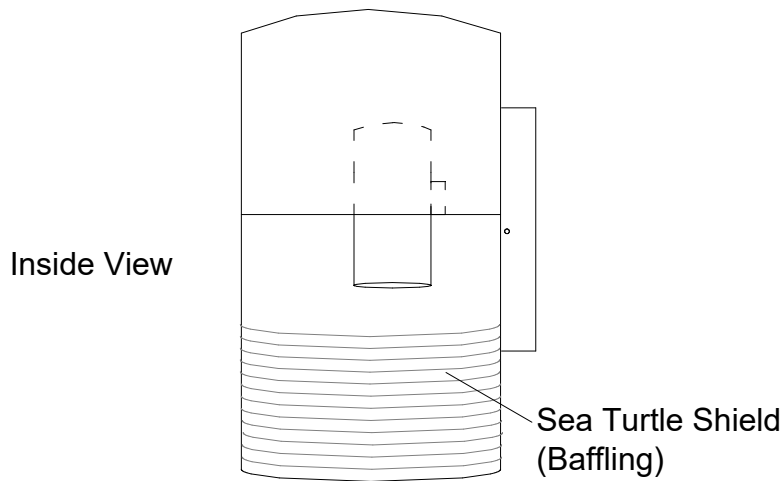
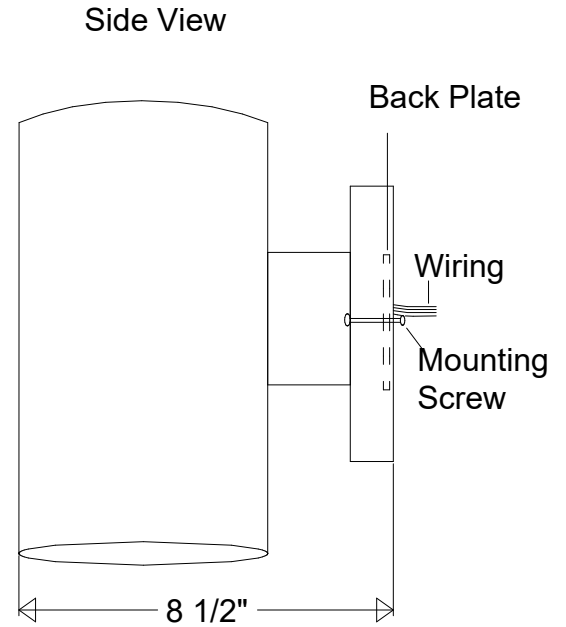
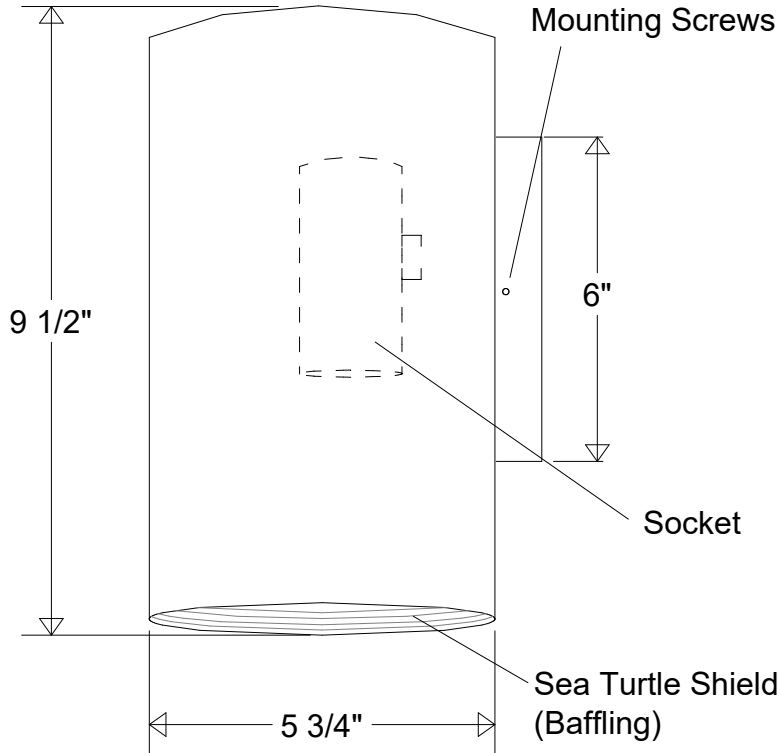



Primelite Manufacturing Corp

407 S Main St, Freeport, NY 11520

Phone: 516-868-4411 | Fax: 516-868-4609
 sales@primelite-mfg.com | www.primelite-mfg.com

PART # #59/62 STS	LAMP Incandescent LED	VOLTAGE 120 V	COLOR Powder Coated Paint
JOB NAME			TYPE Wall Sconce



Lamp: Incandescent LED  1/150A	Name		Date		Wall Sconce #59/62 STS 5 3/4" Dia 9 1/2" Ht 8 1/2" Ext Sea Turtle Shield		
	Drawn	CB	10/19				
	Checked				Size	Drawing No.	Rev
	ENG Appr.				A	0001	A
Construction: Aluminum	QA				Scale	CAD File	Sheet
Unless Otherwise Specified: Dimensions in Inches	Weight						1 of 1

Revisions				
Zone	Rev	Description	Date	Approved