



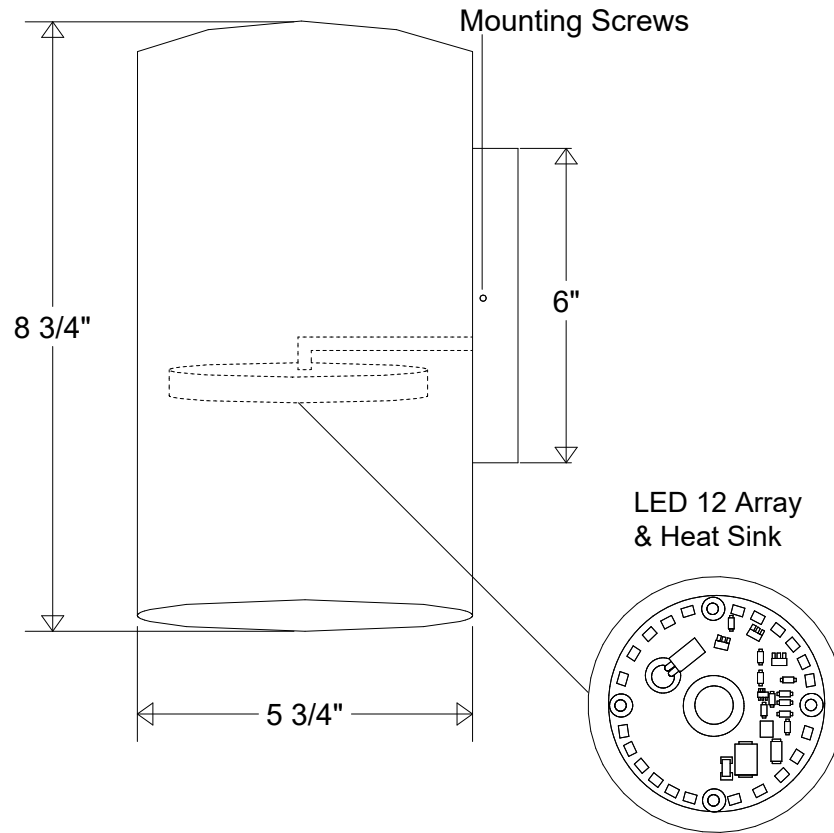
# Primelite Manufacturing Corp

407 S Main St, Freeport, NY 11520

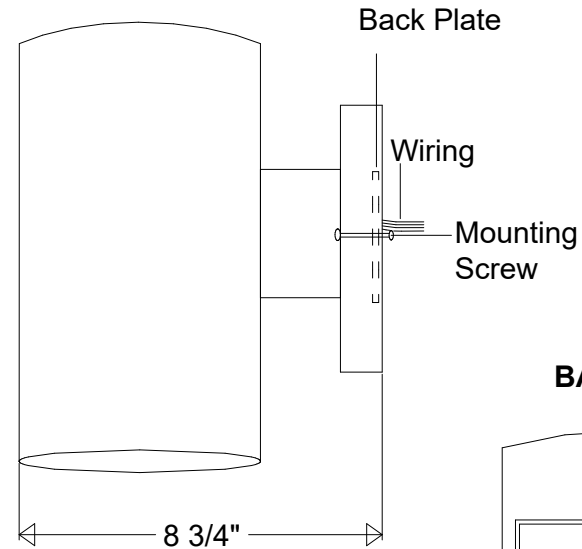
Phone: 516-868-4411 | Fax: 516-868-4609

sales@primelite-mfg.com | www.primelite-mfg.com

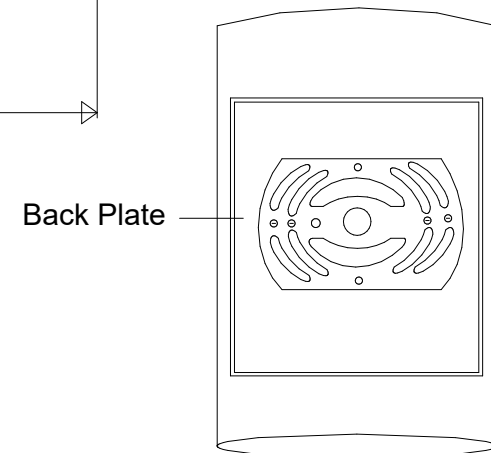
<b>PART #</b> #59/62	<b>LAMP</b> Built-In LED	<b>VOLTAGE</b> 120 V	<b>COLOR</b> Powder Coated Paint
<b>JOB NAME</b>			<b>TYPE</b> Wall Sconce



## SIDE VIEW



## BACK VIEW



Lamp: LED 12 Array  
800 Lumens | 60 W Inc Equivalent



	<b>Name</b>	<b>Date</b>	<b>Wall Sconce #59/62 LED 12</b>		
<b>Drawn</b>	CB	2/2020			
<b>Checked</b>			5 3/4" Dia   8 3/4" H   8 3/4" Ext		
<b>ENG Appr.</b>					
<b>MFR Appr.</b>			<b>Size</b>	<b>Drawing No.</b>	<b>Rev</b>
<b>QA</b>			<b>A</b>	<b>0001</b>	<b>A</b>
<b>Weight</b>			<b>Scale</b>	<b>CAD File</b>	<b>Sheet</b>
<b>Unless Otherwise Specified:</b> Dimensions in Inches					<b>1 of 1</b>

Revisions				
Zone	Rev	Description	Date	Approved