

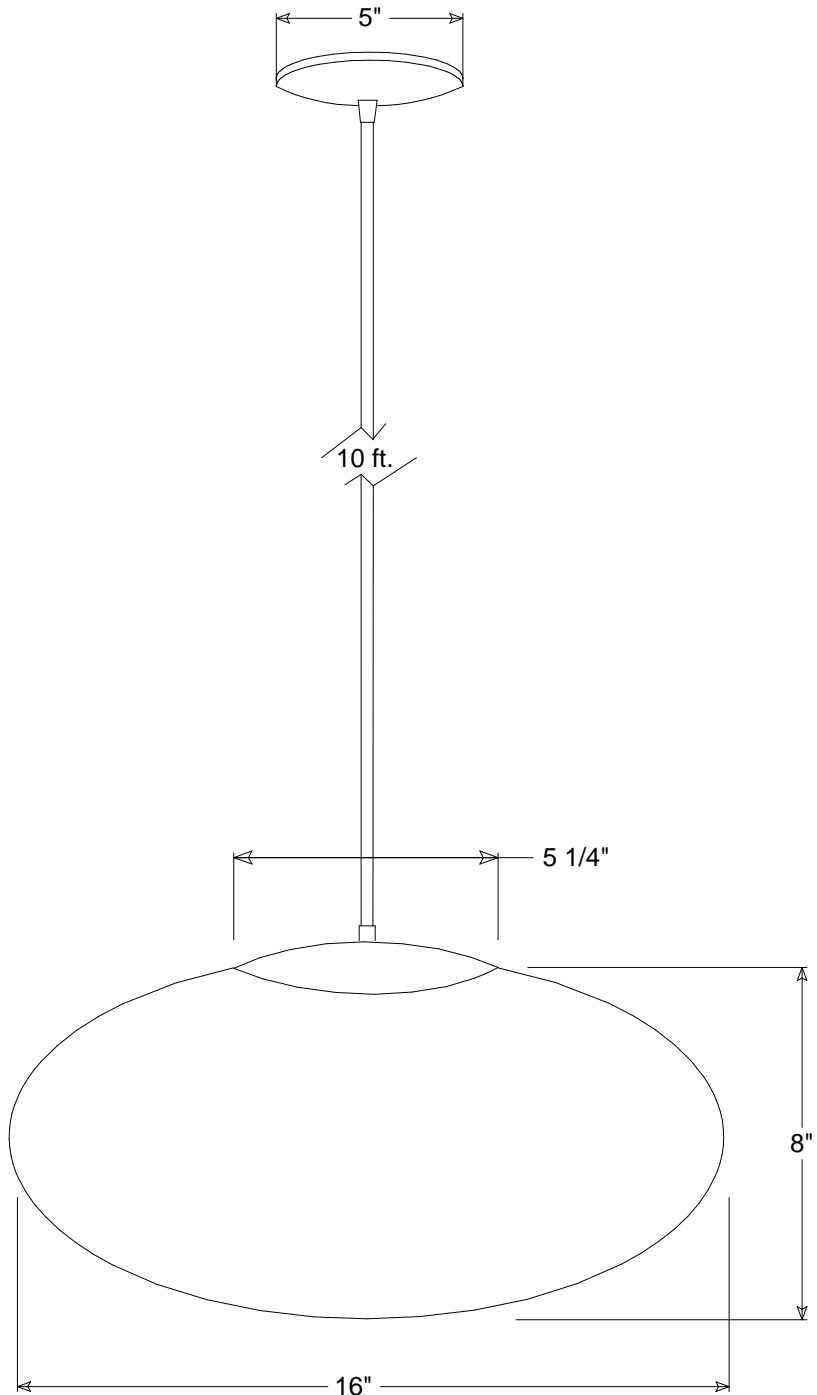


# Primelite Manufacturing Corp

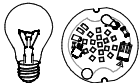
407 S Main St, Freeport, NY 11520

Phone: 516-868-4411 | Fax: 516-868-4609  
 sales@primelite-mfg.com | www.primelite-mfg.com

<b>PART #</b> <b>#587</b>	<b>LAMP</b> Incandescent   LED	<b>VOLTAGE</b> 120V	<b>COLOR</b> Powder Coated Paint
<b>JOB NAME</b>			<b>TYPE</b> Ellipsoid Globe Pendant



Lamp: Incandescent | LED



1/60A | LED12 3K

Name	Date
iv	10/02/18

## Globe Pendant #587

16" x 8" Ellipsoid Acrylic Globe | 10' Vinyl Cord  
 Smoked #587/1 | White #587/3 | Clear #587/4

Construction: Aluminum | Acrylic

Unless Otherwise Specified:  
 Dimensions in Inches

Globe Colors:  
 Smoked #/1 | White #/3 | Clear #/4

Size	Drawing No.	Rev
<b>A</b>	<b>0001</b>	<b>A</b>

Scale	CAD File	Sheet
		<b>1 of 1</b>

Revisions				
Zone	Rev	Description	Date	Approved