

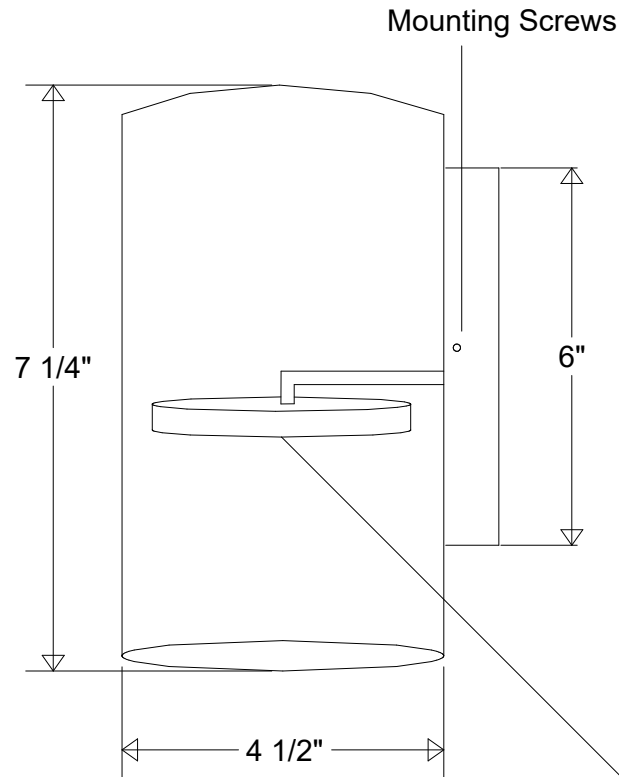


# Primelite Manufacturing Corp

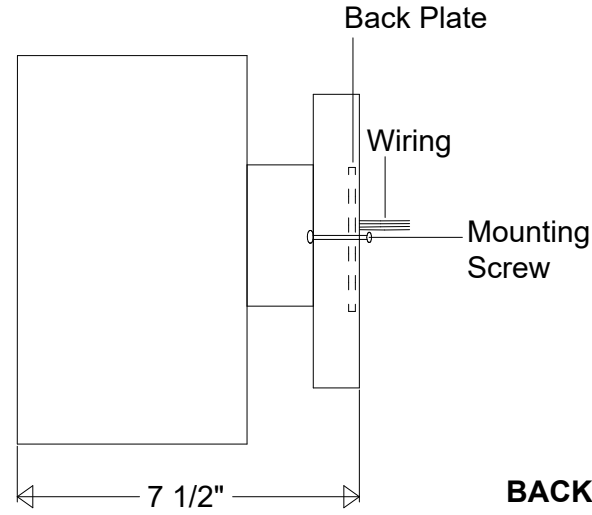
407 S Main St, Freeport, NY 11520

Phone: 516-868-4411 | Fax: 516-868-4609  
 sales@primelite-mfg.com | www.primelite-mfg.com

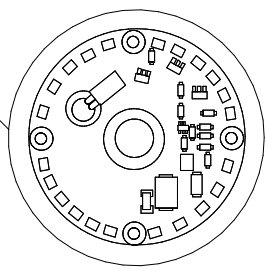
<b>PART #</b> #58/62	<b>LAMP</b> Built-In LED	<b>VOLTAGE</b> 120 V	<b>COLOR</b> Powder Coated Paint
<b>JOB NAME</b>			<b>TYPE</b> Wall Sconce



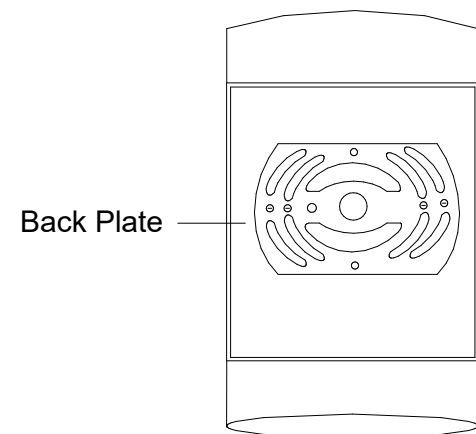
### SIDE VIEW



### LED 12 Array & Heat Sink



### BACK VIEW



Lamp: LED 12 Array  
 800 Lumens | 60 W Inc Equivalent



	<b>Name</b>	<b>Date</b>
<b>Drawn</b>	CB	2/2020
<b>Checked</b>		
<b>ENG Appr.</b>		
<b>MFR Appr.</b>		
<b>QA</b>		
<b>Weight</b>		

## Wall Sconce #58/62 LED 12

4 1/2" Dia | 7 1/4" H | 7 1/2" Ext

<b>Size</b>	<b>Drawing No.</b>	<b>Rev</b>
<b>A</b>	<b>0001</b>	<b>A</b>

**Construction: Aluminum**

Unless Otherwise Specified:  
 Dimensions in Inches

<b>Scale</b>	<b>CAD File</b>	<b>Sheet</b>
		<b>1 of 1</b>

Revisions				
Zone	Rev	Description	Date	Approved