

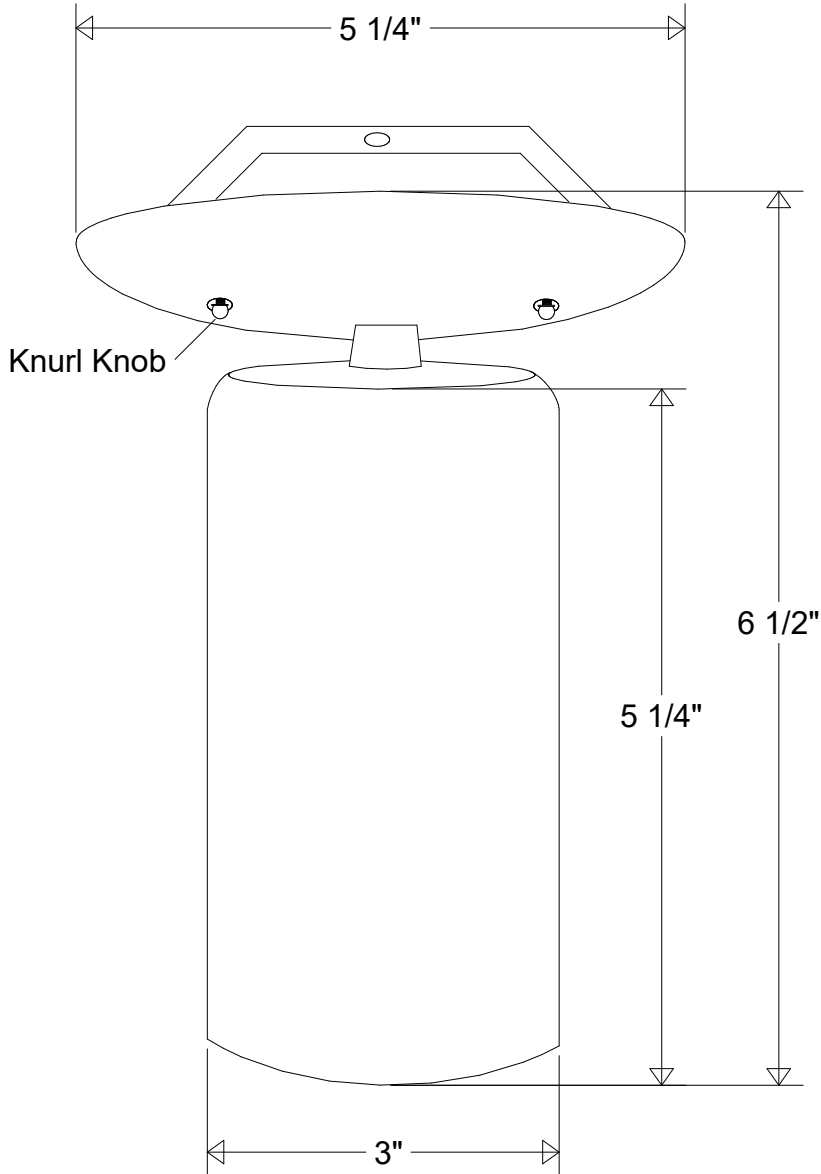


Primelite Manufacturing Corp

407 S Main St, Freeport, NY 11520

Phone: 516-868-4411 | Fax: 516-868-4609
 sales@primelite-mfg.com | www.primelite-mfg.com

| | | | |
|-----------------------|----------------------------|------------------|---------------------------------|
| PART # #57F | LAMP Incandescent LED | VOLTAGE 120 V | COLOR Powder Coated Paint |
| JOB NAME | | | TYPE Flush Mount |



| | | | | | | |
|---|-----------|-------|----------|-----------------------------------|---------------|-----|
| Lamp: Incandescent LED 1/60A LED 16 | Name | | Date | Flush Mount #57F | | |
| | Drawn | CB | 9/19 | | | |
| | Checked | | | 3" Dia 6 1/2" H 5 1/4" Canopy | | |
| | ENG Appr. | | | | | |
| | MFR Appr. | | | Size | Drawing No. | Rev |
| QA | | | A | 0001 | A | |
| Construction: Aluminum Unless Otherwise Specified: Dimensions in Inches | Weight | Scale | CAD File | Sheet | 1 of 1 | |

| Revisions | | | | |
|-----------|-----|-------------|------|----------|
| Zone | Rev | Description | Date | Approved |
| | | | | |
| | | | | |
| | | | | |