

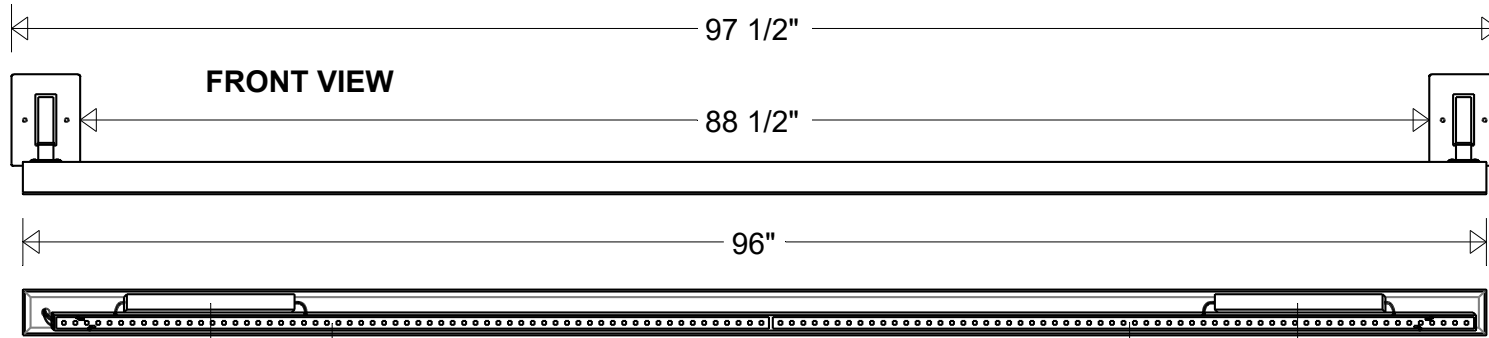


# Primelite Manufacturing Corp

407 S Main St, Freeport, NY 11520

Phone: 516-868-4411 | Fax: 516-868-4609  
 sales@primelite-mfg.com | www.primelite-mfg.com

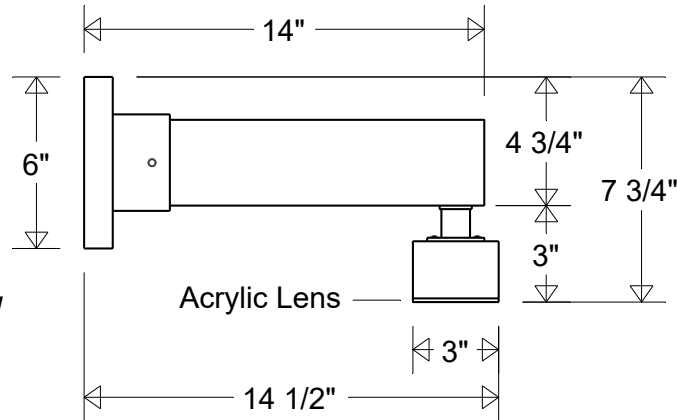
<b>PART #</b> #5751/861 LED 100	<b>LAMP</b> Built-In LED	<b>VOLTAGE</b> 120-277 V	<b>COLOR</b> Powder Coated Paint
<b>JOB NAME</b>			<b>TYPE</b> Linear Sign Light



**INSIDE VIEW**

Driver  
LED Strip

LED Strip  
Driver



**SIDE VIEW**

<b>Lamp: LED 100 (2 x LED 50 Strip)</b> 35K or 50K: 14,000 Lumens  	<b>Name</b>	<b>Date</b>	<b>Sign Light #5751/861 LED 100</b>			
	<b>Drawn</b>	CB				07/2021
	<b>Checked</b>			97 1/2" L   14 1/2" Ext   7 3/4" H   93" Center to Center Arms Acrylic Lens : White (-3)   Clear (-4)   Frosted (-5)		
	<b>ENG Appr.</b>					
<b>MFR Appr.</b>			<b>Size</b>	<b>Drawing No.</b>	<b>Rev</b>	
<b>QA</b>			<b>A</b>	<b>0001</b>	<b>A</b>	
<b>Unless Otherwise Specified:</b> Dimensions in Inches	<b>Weight</b>		<b>Scale</b>	<b>CAD File</b>	<b>Sheet</b> <b>1 of 1</b>	

Revisions				
Zone	Rev	Description	Date	Approved